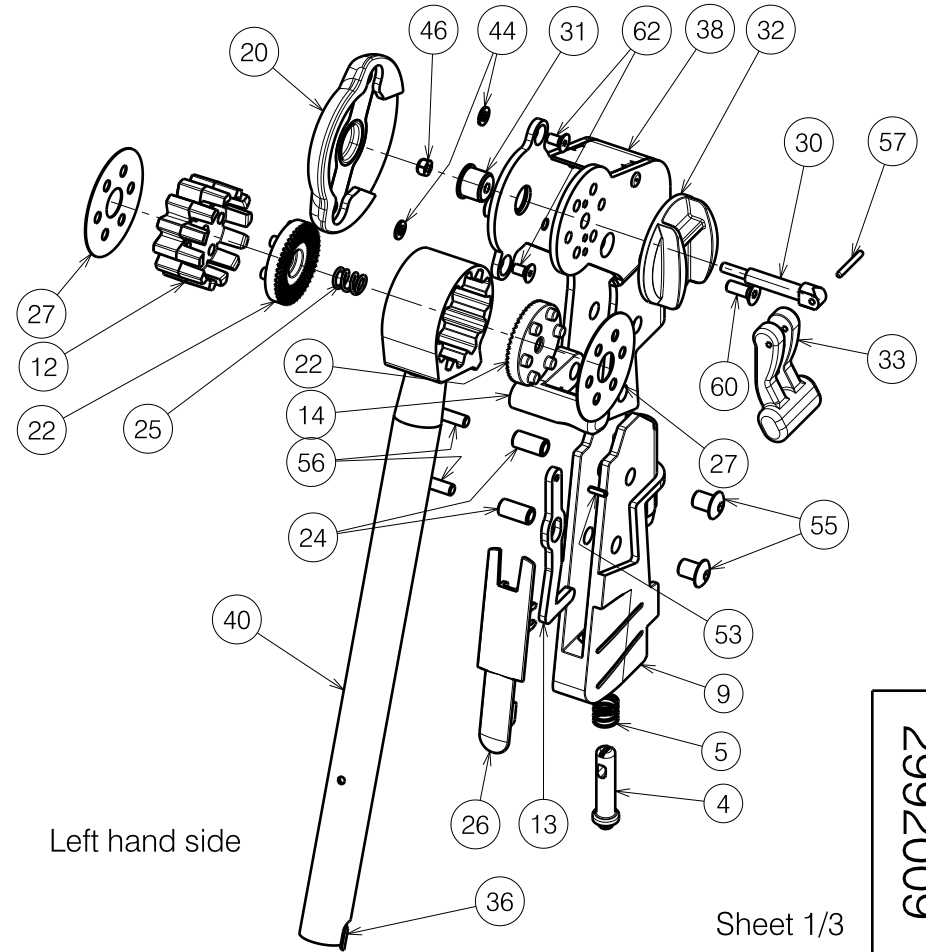


Right hand side




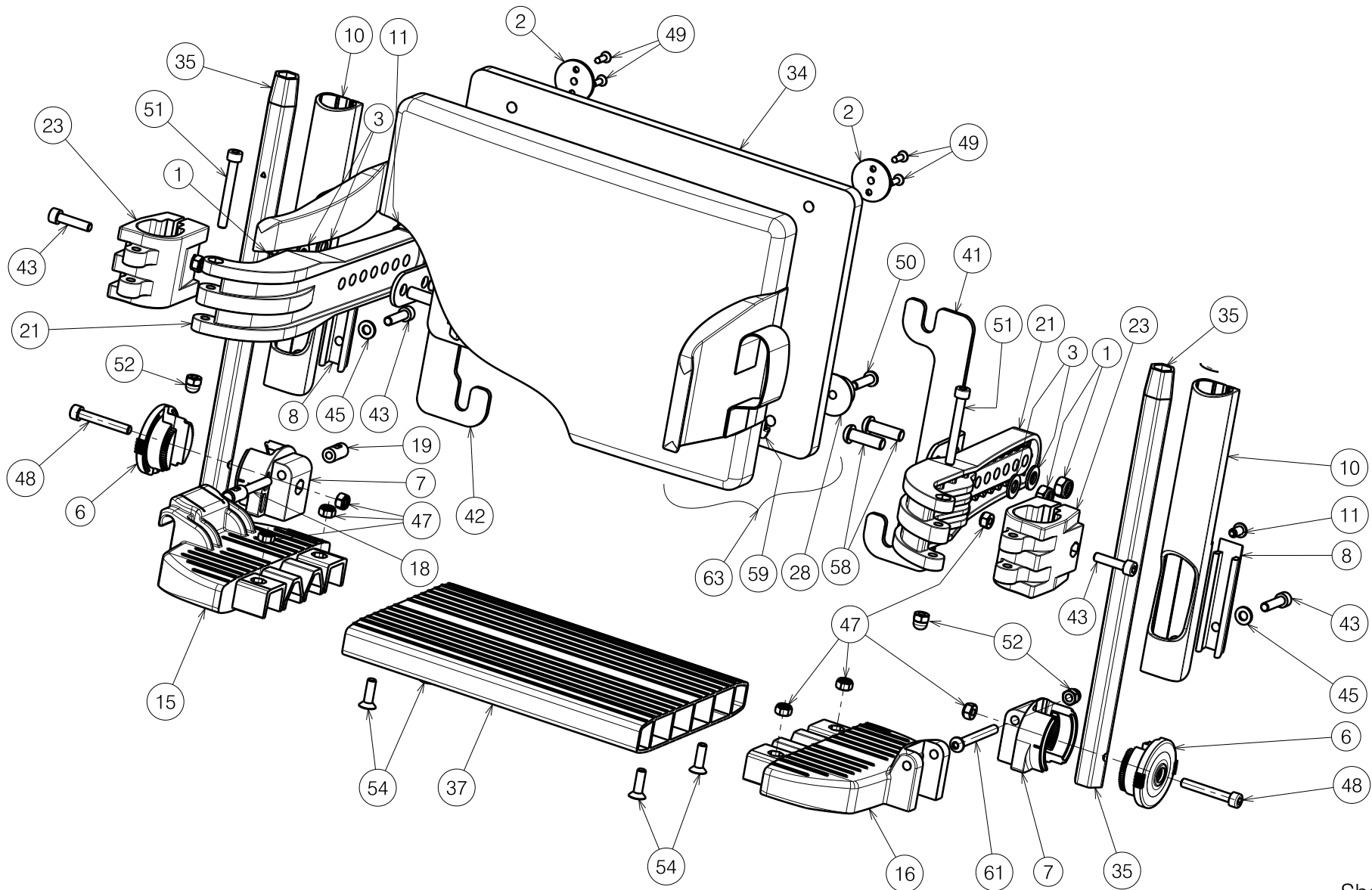
Left hand side

Sheet 1/3

2992009

E000879 / D

LEGREST BZ10 V-SERIES				Plan No.
				E000879 / D
Scale: 1:4	Drafted	Verified	Confirmed	
Date	13/06/2013	21/03/2014	21/03/2014	
Initials	SD	SD	PJ	



Sheet 2/3

2992009

E000879 / D

LEGREST BZ10 V-SERIES				Plan No.
				E000879 / D
Scale: 1:4	Drafted	Verified	Confirmed	
Date	13/06/2013	21/03/2014	21/03/2014	
Initials	SD	SD	PJ	

Bill of Material

No.	Plan number	Article	Quantity	No.	Plan number	Article	Quantity	No.	Plan number	Article	Quantity
1	X001016	1001682	4	34	H7649	X005154 (39)	1	54	M6x20 DIN7991	1903081	4
2	X001052	G066600	2		H7650	X005155 (42)	1	55	M6 RT	1905500	4
3	X001119	1001554	4		H7651	X005153 (44)	1	56	M6x25 KT	1905501	4
4	X004417	1719200	2		H7652	X005156 (46)	1	57	D3x24 DIN6325	G0408	2
5	X004423	1717300	2		H7653	X005157 (48)	1	58	M8x25 ISO7380	1990501	4
6	X004464	1904212	2		H7654	X005158 (50)	1	59	M6x10	1992516	2
7	X004465	1904213	2	35	Y016499	F006269	2	60	M6x16 DIN7991	1994752	4
8	X004658	1904968	2	36	Y016501	1733500	2	61	M6x55 ISO7380	1997879	1
9	X004665	1905744	2	37	XC00307	1C30432 (38)	1	62	M5x10 DIN79991	1999977	4
10	X004666	1905731	2		Y017209	1742832 (39)	1	63	---	1909396 (39)	1
11	X004687	1905639	2		XC00308	1C30532 (40)	1		---	1909397 (42)	1
12	X004690	1905735	2		Y017210	1742932 (42)	1		---	1909398 (44)	1
13	X004692	1906013	2		Y017211	1743032 (44)	1		---	1909399 (46)	1
14	X004701	1905737	1		Y017212	1743132 (46)	1		---	1909400 (48)	1
15	X004706	1905703	1		Y017213	1743232 (48)	1		---	1909401 (50)	1
16	X004707	1905704	1		Y017214	1743332 (50)	1				
17	X004710	1905738	1		XC00309	1C30632 (52)	1				
18	X004711	1736500	1	38	Y018551	1771654	1				
19	X004712	1736600	1	39	Y018552	1771554	1				
20	X004713	1905734	2	40	Y018568	1771754	2				
21	X004735	1905732	2	41	Y020029	1790054	1				
22	X004736	1905736	4	42	Y020030	1789954	1				
23	X004739	1905739	2	43	M6x25 DIN912	1001494	4				
24	X004742	1739500	4	44	M5 DIN125A	1001550	4				
25	X004744	1737100	2	45	M6 DIN125A	1001564	2				
26	X004773	1905885	2	46	M5 DIN985	1001679	2				
27	X004795	1905970	4	47	M6 DIN985	1001680	8				
28	X004861	1906454	2	48	M6x40 DIN912	1003909	2				
29	X005025	1772000	2	49	3,9x16 DIN7982	1005767	4				
30	X005028	1772100	2	50	M6x25 ISO7380	1006998	2				
31	X005046	1777100	2	51	M6x50 DIN912	1007970	2				
32	X005047	1908420	2	52	M6	1008492	3				
33	X005055	1908419	2	53	D3x10	1008674	2				

2992009

Sheet 3/3

LEGREST BZ10 V-SERIES

Plan No.

E000879 / D

E000879 / D

Scale: 1:4	Drafted	Verified	Confirmed
Date	13/06/2013	21/03/2014	21/03/2014
Initials	SD	SD	PJ

