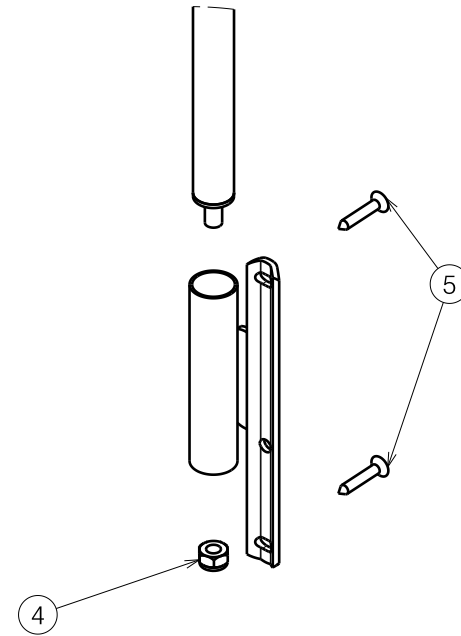


Detail A
Scale: 2:7



Material / Materiaal			
No. / Nr.	Plan	Article / Artikel	Quantity / Aantal
1	Y016535	17338..	1
2	Y016533	17336..	1
3	Y016534	17337..	1
4	---	1001682	2
5	---	1001536	4

E000610 / B

B92 SABENABAR SMALL B92 SABENABAR SMAL			Plan No. / Plannr. E000610 / B
Scale / Schaal: 1:7	Drafted / Getekend	Verified / Nagezien	Confirmed / Bevestigd
Date / Datum	05/02/2010	15/11/2012	15/11/2012
Init. / Init.	DD	SV	PJ

