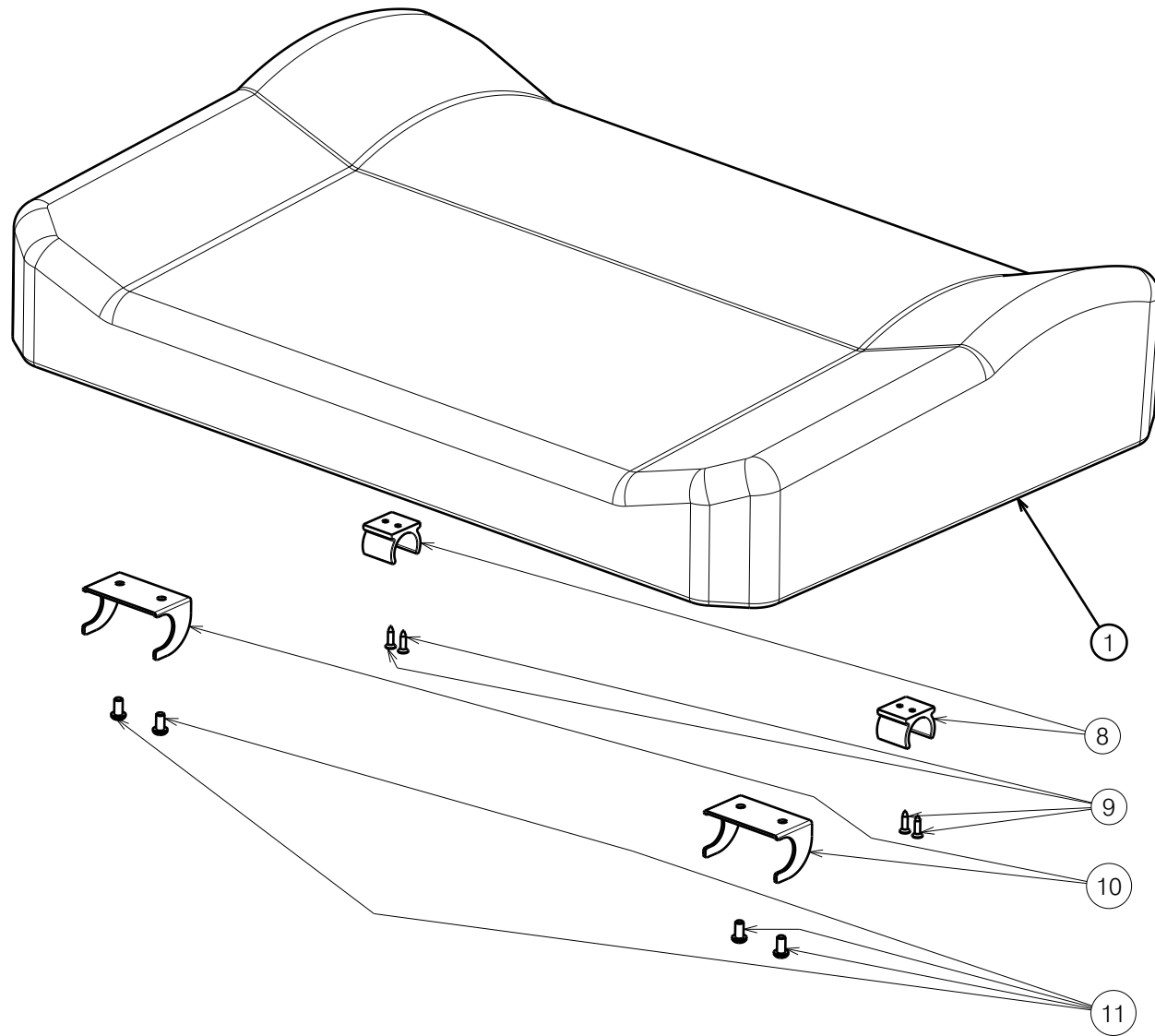


SEAT NORMANDIE XXL			
			Sheet 1/2
Scale: 1:5	Drafted	Verified	Confirmed
Date	02/12/2009	23/09/2022	23/09/2022
Initials	DDR	PM	AZ

Plan No.
E000606/B.1



Material			
No.	Plan	Article	Quantity
1	Seat Blue	2997492	1
	Seat Lavender	2997493	1
	Seat Brown	2997494	1
	Seat Black	2997495	1
	Seat Grey	2997496	1
2*	Cover Blue	2997497	1
	Cover Lavender	2997498	1
	Cover Brown	2997499	1
	Cover Black	2997501	1
	Cover Grey	2997502	1
3*	X004517	1905149	1
4*	---	1998461	4
5*	---	1992516	4
6*	X004505	H7620	1
7*	---	1005328	1
8	XP00106	2990072	2
9	---	1005767	4
10	YP00717	1821854	2
11	---	1007000	4

* Subparts of complete seat

SEAT NORMANDIE XXL				---
				Plan No. E000606/B.1
Sheet 2/2				
Scale: 1:5	Drafted	Verified	Confirmed	
Date	02/12/2009	23/09/2022	23/09/2022	
Initials	DDR	PM	AZ	