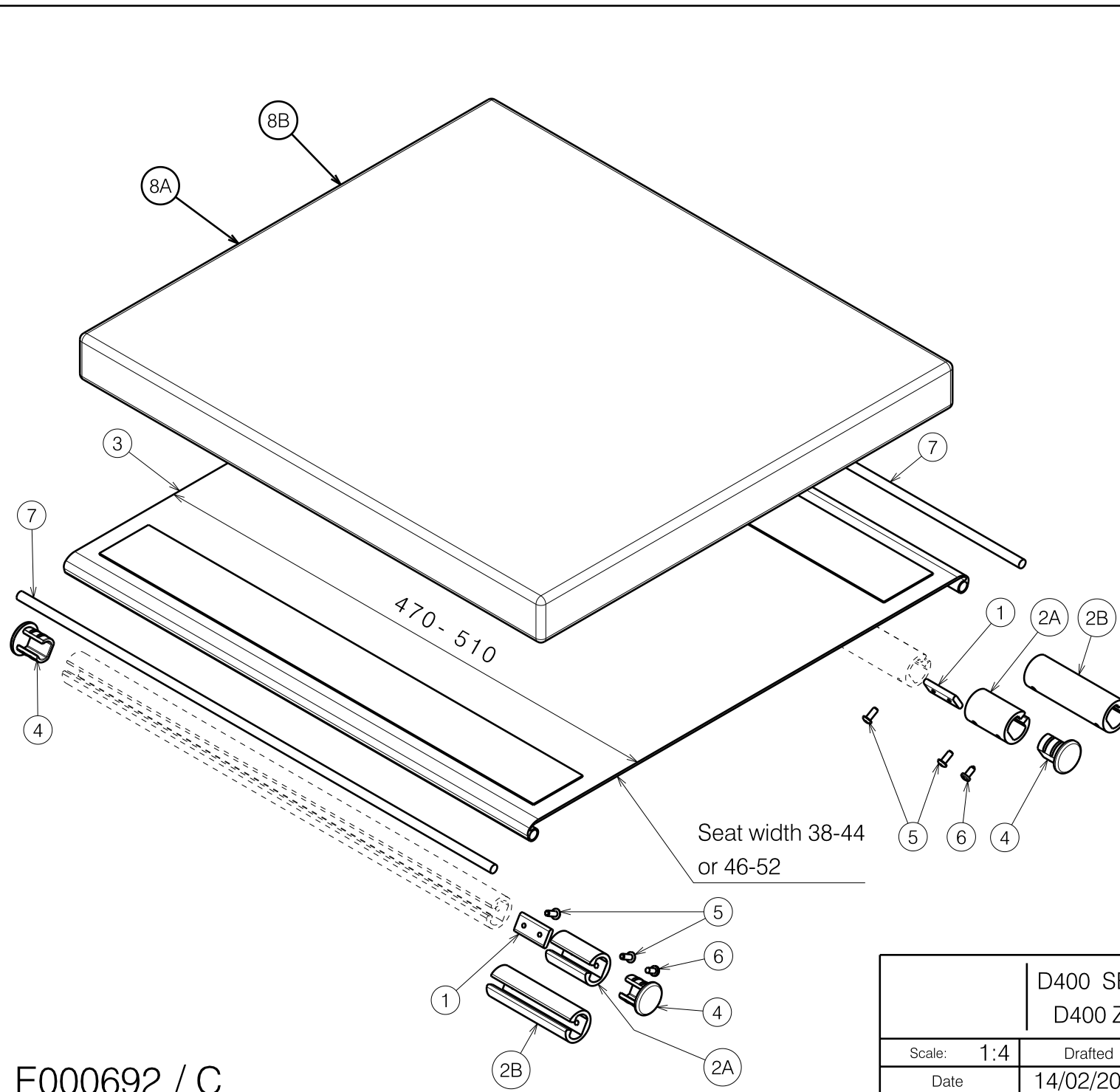


| Material | | | |
|----------|---------|-----------------|----------|
| No. | Plan | Article | Quantity |
| 1 | Y016702 | 1741400 | 2 |
| 2A | Y017177 | 1741354 (L=40) | 2 |
| 2B | Y016727 | 1748454 (L= 80) | 2 |
| 3 | --- | 1906632 (SD 48) | 1 |
| | | 1906633 (SD 52) | 1 |
| | | 1906634 (SD 48) | 1 |
| | | 1906635 (SD 52) | 1 |
| 4 | X004452 | 1904058 | 4 |
| 5 | --- | 1998758 | 4 |
| 6 | --- | 1001530 | 2 |
| 7 | --- | H001126 (L=40) | 0.94 m |
| | | H001126 (L=80) | 1.02 m |
| 8A | --- | 1906640 (48-39) | 1 |
| | | 1906641 (48-42) | 1 |
| | | 1906642 (48-44) | 1 |
| | | 1906643 (48-46) | 1 |
| | | 1906644 (48-48) | 1 |
| | | 1906645 (48-50) | 1 |
| 8B | --- | 1906649 (52-39) | 1 |
| | | 1906650 (52-42) | 1 |
| | | 1906651 (52-44) | 1 |
| | | 1906652 (52-46) | 1 |
| | | 1906653 (52-48) | 1 |
| | | 1906654 (52-50) | 1 |

8A: Seat depth 48 cm
 8B: Seat depth 52 cm

E000692 / C

| | | | | |
|---|------------|------------|------------|-------------------------|
| V300 SEAT DEPTH 48 - 52 CM V300 ZITDIEPTE 48 - 52 CM | | | | Plan No. E000692 / C |
| Scale: 1:4 | Drafted | Verified | Confirmed | |
| Date | 14/02/2011 | 20/12/2017 | 20/12/2017 | |
| Initials | SD | SD | PJ | |



| Material | | | |
|----------|---------|-----------------|----------|
| No. | Plan | Article | Quantity |
| 1 | Y016702 | 1741400 | 2 |
| 2A | Y017177 | 1741354 (L=40) | 2 |
| 2B | Y016727 | 1748454 (L= 80) | 2 |
| 3 | --- | 1906632 (SD 48) | 1 |
| | | 1906633 (SD 52) | 1 |
| | | 1906634 (SD 48) | 1 |
| | | 1906635 (SD 52) | 1 |
| 4 | X004452 | 1904058 | 4 |
| 5 | --- | 1998758 | 4 |
| 6 | --- | 1001530 | 2 |
| 7 | --- | H001126 (L=40) | 0.94 m |
| | | H001126 (L=80) | 1.02 m |
| 8A | --- | 1914642 (48-38) | 1 |
| | | 1914644 (48-40) | 1 |
| | | 1906641 (48-42) | 1 |
| | | 1906642 (48-44) | 1 |
| | | 1906643 (48-46) | 1 |
| | | 1906644 (48-48) | 1 |
| | | 1906645 (48-50) | 1 |
| | | 1914646(48-52) | 1 |
| 8B | --- | 1914643 (52-38) | 1 |
| | | 1914645 (52-40) | 1 |
| | | 1906650 (52-42) | 1 |
| | | 1906651 (52-44) | 1 |
| | | 1906652 (52-46) | 1 |
| | | 1906653 (52-48) | 1 |
| | | 1906654 (52-50) | 1 |
| | | 1914647 (52-52) | 1 |

8A: Seat depth 48 cm
 8B: Seat depth 52 cm

E000692 / C

| | | | |
|---|------------|------------|-------------------------|
| D400 SEAT DEPTH 48 - 52 CM D400 ZITDIEPTE 48 - 52 CM | | | Plan No. E000692 / C |
| Scale: 1:4 | Drafted | Verified | Confirmed |
| Date | 14/02/2011 | 20/12/2017 | 20/12/2017 |
| Initials | SD | SD | PJ |

