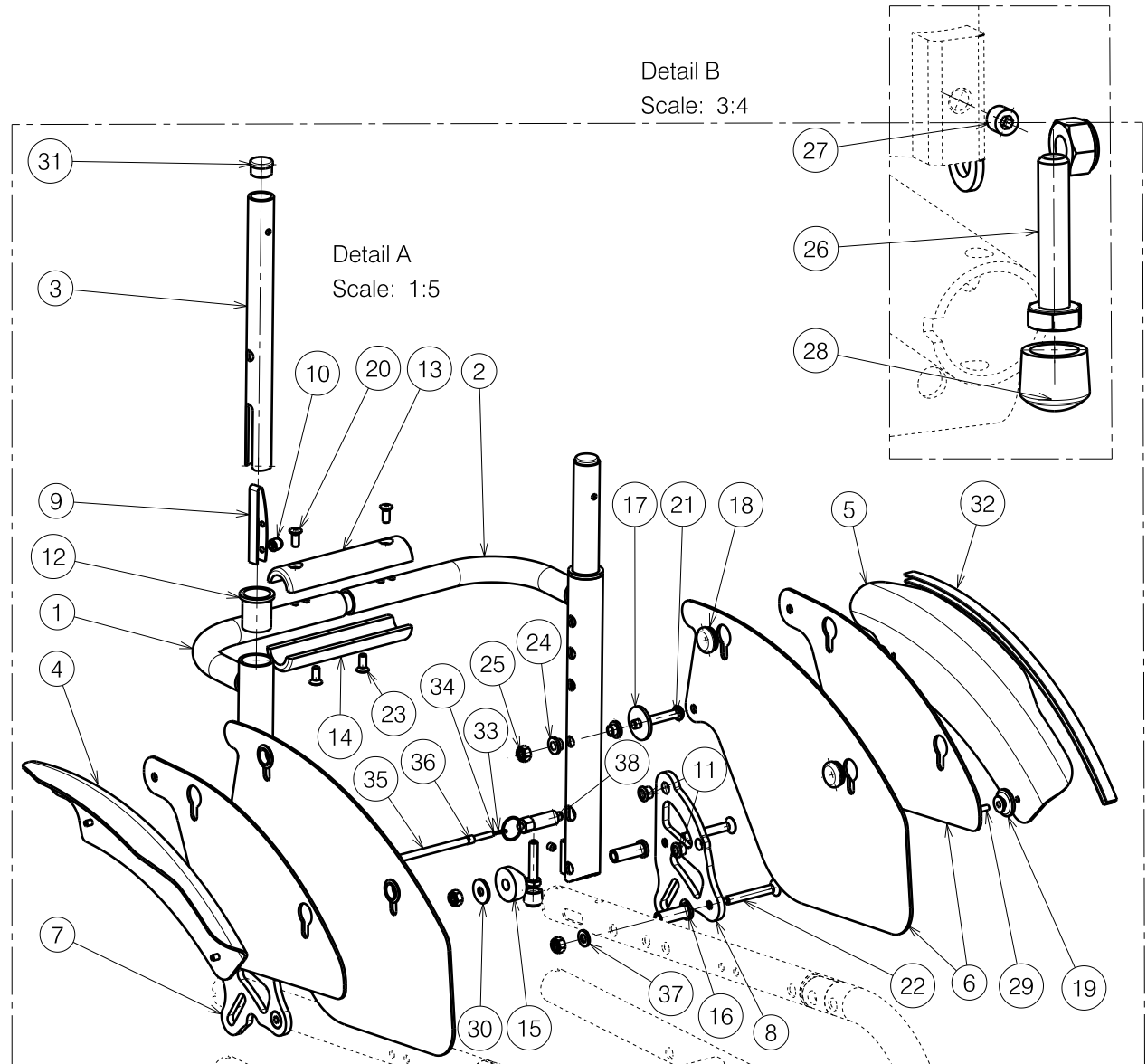


Material			
No.	Plan	Article	Quantity
1	YP02411 (24CM)	18992	1
	YP02413 (32CM)	18994	1
2	YP02410 (24CM)	18991	1
	YP02412 (32CM)	18993	1
3	YP01257 (27-32)	18533	2
	YP01438 (32-37)	18631	2
	YP01439 (37-42)	18632	2
	YP01440 (22-27)	18633	2
4	YP02375 (18")	18981	1
	YP02362 (20+22")	18987	1
5	YP02396 (18")	18982	1
	YP02363 (20+22")	18986	1
6	YP02374 (18")	18980	2
	YP02353 (20+22")	18985	2
7	YP02808	28114	1
8	YP02807	28113	1
9	Y000462	F000050	2
10	X000273	G0606	2
11	XP00328	18540	2
12	XP00357	2990300	2
13	XP00675	2990915	1
14	XP00749	2991070	1
15	XP00369	GP00045	2
16	XP00365	18553	4
17	XP00366	2990331	2
18	XP00422	2990457	4
19	XP00412	2990456	4
20	XP00674	2990916	1
21	M6x40	1006111	2
22	M6x50	2991187	4
23	M5x12	2990933	4
24	6,2	2990164	2
25	M6	1001680	6
26	M6x30	1007954	2
27	M5x5	1991323	2
28	---	1900072	2
29	4X14	1001584	4
30	D20xd6,5x1,6	1997328	2
31	---	1001602	2
32	---	1003299	0,9M
33	---	1992149	2
34	---	2991192	2
35	---	1003279	2
36	---	T001063	2
37	D6,3	1000973	2
38	GN 717-6-AK	2990301	2



BACK REST SAGITTA KIDS SI				Plan Number
				EP00011/A
Scale: 1:5	Drafted	Verified	Confirmed	
Date	01/02/2011	01/02/2011	01/02/2011	
Initials	RM	MK	TK	