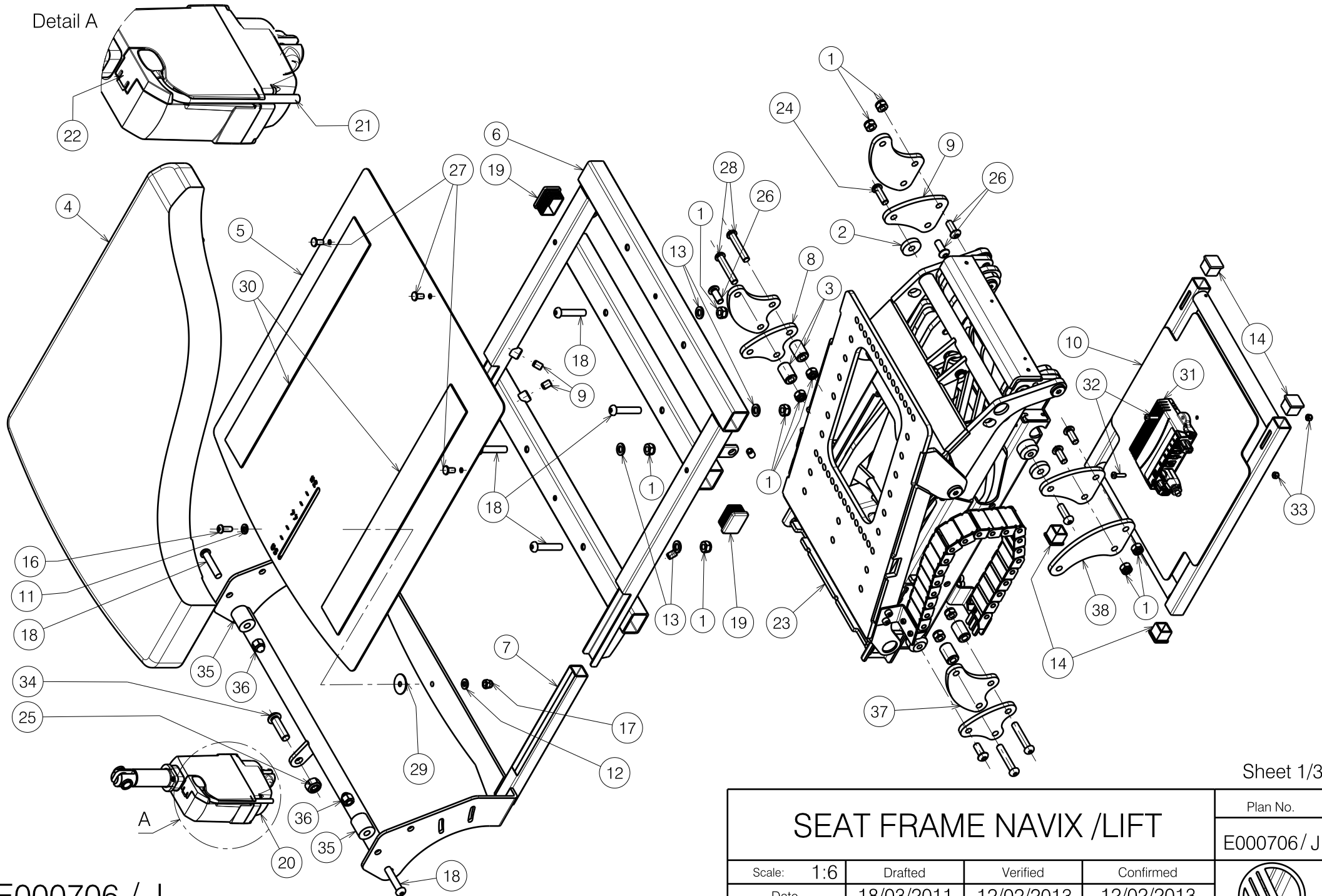



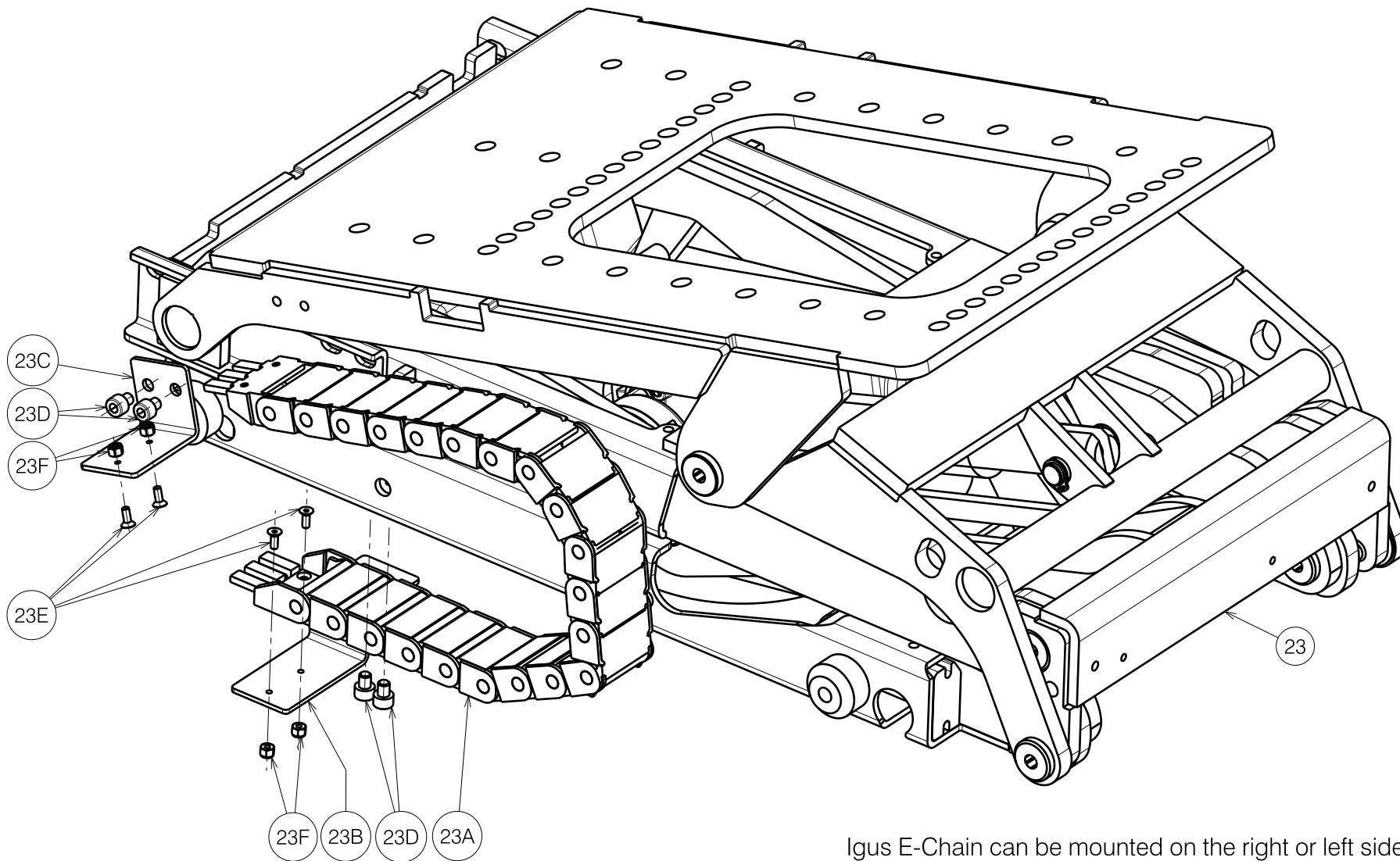
Detail A



E000706 / J

Sheet 1/3


SEAT FRAME NAVIX /LIFT				Plan No. E000706 / J
Scale: 1:6	Drafted	Verified	Confirmed	
Date	18/03/2011	12/02/2013	12/02/2013	
Initials	JG	JG	PJ	



Igus E-Chain can be mounted on the right or left side

Sheet 2/3

E000706 / J

<h2>SEAT FRAME NAVIX /LIFT</h2>				Plan No.
				E000706 / J
Scale: 3:10	Drafted	Verified	Confirmed	
Date	18/03/2011	12/02/2013	12/02/2013	
Initials	JG	JG	PJ	

Material				Material			
No.	Plan	Article	Quantity	No.	Plan	Article	Quantity
1	X001016	1001682	12	23g*	---	1907525	1
2	X004200	1902768	2	23h*	---	1909023	1
3	X004757	1753254	4	24	M8x25 ISO7380	1990501	2
4	X004860	1906817 (40)	1	25	M10 DIN985	1001683	1
	X004855	1906741 (45)	1	26	M8x20 ISO7380	1992349	6
	X004887	1906818 (50)	1	27	---	1992835	3
5	Y017269	1751654 (40)	1	28	M8x45 ISO7380	1994473	4
	Y017280	1748854 (45)	1	29	---	1997486	1
	Y017375	1751554 (50)	1	30	---	2990413	2
6	Y017290	1753354 (40)	1	31	---	1903218	1
	Y017291	1753454 (45)	1	32	---	2990185	2
	Y017292	1753554 (50)	1	33	M4 DIN985	1001678	2
7	Y016954	1752354 (40)	1	34	M10x35 ISO7380	1009442	1
	Y017347	1750154 (45)	1	35	X003111	1995853	2
	Y016960	1752454 (50)	1	36	M8	1902024	2
8	Y017428	1761954	2	37**	Y020017	1787654	2
9	Y017432	1761854	2	38**	Y020018	1787754	2
10	Y017814	1756754	1				
11	M6 DIN125A	1000973	1				
12	M6 DIN125A	1001564	1				
13	M8 DIN125B	1001556	4				
14	---	1001612	2				
15	M8x12 DIN916	1004885	6				
16	M6x16 ISO7380	1008459	1				
17	M6	1008492	1				
18	M8x40 ISO7380	1008739	6				
19	---	1902851	2				
20	---	1906790	1				
21	---	1906791	1				
22	---	1906792	1				
23	---	1906922	1				
23a	---	1908591	1				
23d	M5x6 DIN912	1997822	4				
23f	M3 DIN985	1997899	4				

* = Not depicted

** = For RWD only

23g* : Dynamic Configuration

23h* : P&G Configuration

Sheet 3/3

E000706 / J

SEAT FRAME NAVIX /LIFT				Plan No.
				E000706 / J
Scale: 1:6	Drafted	Verified	Confirmed	
Date	18/03/2011	12/02/2013	12/02/2013	
Initials	JG	JG	PJ	