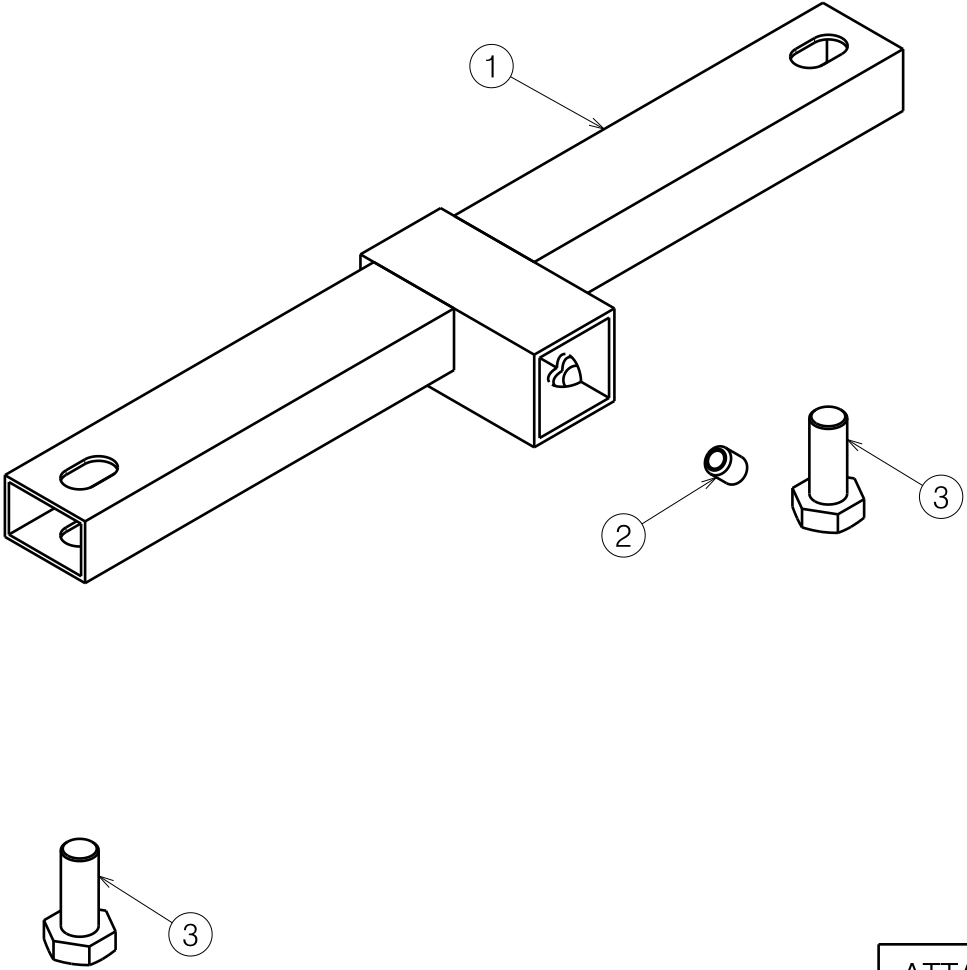


Material / Materiaal			
No. / Nr.	Plan / Plan	Article / Artikel	Number / Aantal
1	Y008176	16127	1
2	---	1008942	1
3	---	1995665	2



ATTACHMENT ROLLATOR HOLDER SHOPRIDER				Plan No. / Plannr.
BEVESTIGING ROLLATORHOUDER SHOPRIDER				E000219/A
Scale / Schaal: 1:2	Drafted / Getekend	Verified / Nagezien	Confirmed / Bevestigd	
Date / Datum	13/04/2005	13/04/2005	13/04/2005	
Init. / Init.	PS	RR	PJ	