

# VERMEIREN

## Eclips X4, Eclips X4 30°

INSTRUCTION MANUAL





## **Instructions to the specialist dealer**

This instruction manual is part and parcel of the product and must accompany every product sold.

Version: B, January 2012

All rights reserved, including translation.

No part of this manual may be reproduced in any form what so ever (print, photocopy, microfilm or any other process) without written permission of the publisher, or processed, duplicated or distributed by using electronic systems.

© N.V. Vermeiren N.V. 2012



## Contents

<b>Preface</b>	<b>2</b>
<b>1 Productdescription</b>	<b>3</b>
1.1 Intended Use	3
1.2 Technical specifications	4
1.3 Drawing	6
1.4 Accessories	6
1.5 Location identification plate	6
1.6 Explanation of symbols	7
1.7 Safety rules	7
<b>2 Use</b>	<b>8</b>
2.1 Carrying the wheelchair	8
2.2 Mounting the rear wheels	8
2.3 Unfolding the wheelchair	8
2.4 Mounting or removing of the footrests	8
2.5 Operating the brakes	9
2.6 Mounting or removing of arm supports	9
2.7 Transfer in and out the wheelchair	10
2.8 Correct position in the wheelchair	10
2.9 Riding the wheelchair	11
2.10 Moving on slopes	11
2.11 Negotiating steps or curbs	11
2.12 Fold up the wheelchair	13
2.13 Taking off the wheels	13
2.14 Pushbar	13
2.15 Back adjusting (Eclips X4 30°)	14
2.16 Transport in the car	14
2.17 Use of the wheelchair as seat in a motor vehicle (Eclips X4)	14
<b>3 Installation and adjustment</b>	<b>16</b>
3.1 Tools	17
3.2 Manner of delivery	17
3.3 Adjusting the seat height and seat angle	17
3.4 Flexible seat	19
3.5 Adjusting seat depth	20
3.6 Flexible back	20
3.7 Adjust the brakes	20
3.8 Adjusting of the footrests	21
3.9 Adjusting of the pushing handles	22
3.10 Adjusting of the tip cap	23
3.11 Adjusting the stability and the maneuverability	23
<b>4 Maintenance</b>	<b>24</b>
4.1 Regular Maintenance	24
4.2 Shipping and storage	25
4.3 Care	25
4.4 Inspection	25
4.5 Disinfection	26
<b>5 Guarantee</b>	<b>28</b>
<b>6 Disposal</b>	<b>28</b>
<b>7 Declaration of conformity</b>	<b>28</b>
<b>8 Maintenance plan</b>	<b>29</b>
<b>9 Disinfection book</b>	<b>29</b>



## Preface

First of all we want to thank you for putting your trust in us by selecting one of our wheelchairs.

The Vermeiren wheelchairs are the result of many years of research and experience. During the development, special attention was given to the ease of use and the serviceability of the wheelchair.

The expected lifetime of your wheelchair is strongly influenced by the care and maintenance of the wheelchair.

This manual will help you get acquainted with the operation of your wheelchair.

Following the user instructions and the maintenance instructions are an essential part of the warranty.

This manual reflects the latest product developments. Vermeiren has the right to introduce changes without the obligation to adapt or replace previously delivered models.

For any further questions, please consult your specialist dealer.

# 1 Productdescription

## 1.1 *Intended Use*

The wheelchair is intended for people with walking difficulties or no walking abilities.

The wheelchair is designed to transport 1 person.

The wheelchair is suited for indoor and outdoor use.

The user can propel the wheelchair by himself or have the wheelchair pushed by an attendant.

The different types of fittings and accessories, and the modular construction allow full use by persons disabled by:

- paralysis
- loss of limbs (leg amputation)
- limb defects or deformations
- stiff or damaged joints
- heart insufficiencies and poor blood circulation
- balance disturbances
- cachexia (decrease in muscle)
- and also for aged persons.

When providing for individual requirements:

- body size and weight (max. 150 kg)
- physical and psychological condition
- residential circumstances
- environment

should be taken into consideration.

Your wheelchair should only be used on surfaces where all four wheels are touching the ground and where there is sufficient contact to propel the wheels equally.

You should practice for use on uneven surfaces (cobblestones, etc.), slopes, curves and to get past obstacles (curbs, etc.).

The wheelchair should not be used as a ladder, nor is it a transport for heavy or hot objects.

When used on mats, carpeted floors or loose floor coverings, the floor covering can get damaged.

Use only Vermeiren approved accessories.

The manufacturer is not liable for damage caused by the lack of or improper service or as a result of not following instructions from this manual.

Compliance with the user and maintenance instructions are an essential part of the guarantee conditions.



## 1.2 Technical specifications

Technical terms below are valid for the wheelchair in standard settings.

If other footrests / arm supports or other accessories are used, the tabulated values will change.

<b>Make</b>	<b>Vermeiren</b>						
<b>Address</b>	<b>Vermeirenplein 1/15, B-2920 Kalmthout</b>						
<b>Type</b>	<b>Manual wheelchair</b>						
<b>Model</b>	<b>Eclips X4</b>						
<b>Maximum occupant mass</b>	<b>150 kg</b>						
<b>Description</b>	<b>Dimensions</b>						
Effective seat width	390 mm	420 mm	440 mm	460 mm	480 mm	500 mm	550 mm
Overall width (depends on the seat width)	590 mm	620 mm	640 mm	660 mm	680 mm	700 mm	740 mm
<b>Description</b>	<b>Dimensions Min.</b>			<b>Dimensions Max.</b>			
Overall length with footrest	1000 mm			1210 mm			
Folded length without footrest	740 mm			910 mm			
Folded width	300 mm						
Folded height	910 mm			1015 mm			
Total mass	± 17,10 kg						
Mass of heaviest part	9,40 kg						
Masses of parts that can be dismantled or removed	<b>Foot supports:</b> 1,90 kg; <b>Arm supports:</b> 1,65 kg; <b>Rear wheels:</b> 4,15 kg						
Static stability downhill	7,5° (in standard configuration)						
Static stability uphill	5° (in standard configuration)						
Static stability sideways	>16° (in standard configuration)						
Obstacle climbing	60 mm						
Seat plane angle	0°			13°			
Effective seat depth	420 mm			500 mm			
Seat surface height at front edge	390 mm			520 mm			
Backrest angle	0°			13°			
Backrest height	420 mm			460 mm			
Distance between footrest and seat	345 mm			460 mm			
Angle between seat and footrest	107°						
Distance between armrest and seat	220 mm						
Front location of armrest structure	340 mm						
Handrim diameter	535 mm						
Horizontal location of axle (deflection)	-47 mm			19 mm			
Minimum turning radius	1530 mm						
Diameter Krypton PU Rear wheels	24"						
Tyre pressure, rear (driving) wheels (only for air tyres)	Max. 3.5 bar						
Diameter Krypton PU steering wheels	150 mm			200 mm			
Tyre pressure, steering wheels (only for air tyres)	Max. 2.5 bar						
Storage and use temperature	+ 5 °C			+ 41 °C			
Storage and use humidity	30%			70%			

We reserve the right to introduce technical changes. Measurement tolerance ± 15 mm / 1,5 kg / °

Table 1: Technical specifications Eclips X4



<b>Make</b>	<b>Vermeiren</b>						
<b>Address</b>	<b>Vermeirenplein 1/15, B-2920 Kalmthout</b>						
<b>Type</b>	<b>Manual wheelchair</b>						
<b>Model</b>	<b>Eclips X4 30°</b>						
<b>Maximum occupant mass</b>	<b>150 kg</b>						
<b>Description</b>	<b>Dimensions</b>						
Effective seat width	390 mm	420 mm	440 mm	460 mm	480 mm	500 mm	550 mm
Overall width (depends on the seat width)	590 mm	620 mm	640 mm	660 mm	680 mm	700 mm	740 mm
<b>Description</b>	<b>Dimensions Min.</b>			<b>Dimensions Max.</b>			
Overall length with footrest	1000 mm			1210 mm			
Folded length without footrest	1000 mm			1210 mm			
Folded width	300 mm						
Folded height	910 mm			1015 mm			
Total mass	± 30 kg						
Mass of heaviest part	22,30 kg						
Masses of parts that can be dismantled or removed	<b>Foot supports: 1,90 kg; Arm supports: 1,65 kg; Rear wheels: 4,15 kg</b>						
Static stability downhill	7,5° (in standard configuration)						
Static stability uphill	Axle block backwards: 4° Axle block forwards: Anti-tipping device must be standard available						
Static stability sideways	>16° (in standard configuration)						
Obstacle climbing	60 mm						
Seat plane angle	0°			13°			
Effective seat depth	420 mm			500 mm			
Seat surface height at front edge	390 mm			520 mm			
Backrest angle	0°			43°			
Backrest height	420 mm			460 mm			
Distance between footrest and seat	345 mm			460 mm			
Angle between seat and footrest	107°						
Distance between armrest and seat	220 mm						
Front location of armrest structure	340 mm						
Handrim diameter	535 mm						
Horizontal location of axle (deflection)	-47 mm			19 mm			
Minimum turning radius	1530 mm						
Diameter Krypton PU Rear wheels	24"						
Tyre pressure, rear (driving) wheels	Max. 3.5 bar						
Diameter Krypton PU steering wheels	150 mm			200 mm			
Tyre pressure, steering wheels	Max. 2.5 bar						
Gas pressure spring	2 x 275N						
Storage and use temperature	+ 5 °C			+ 41 °C			
Storage and use humidity	30%			70%			
<b>We reserve the right to introduce technical changes. Measurement tolerance ± 15 mm / 1,5 kg / °</b>							

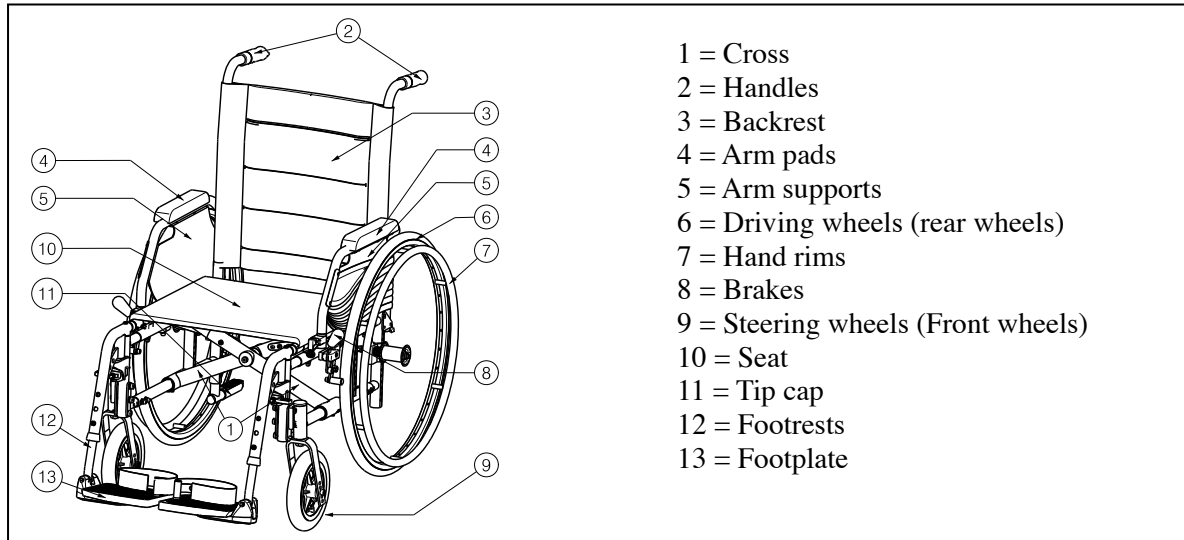
*Table 2: Technical specifications Eclips X4 30°*

The wheelchair complies to the requirements set up in:  
ISO 7176-8: Requirements and test methods for static, impact and fatigue strengths.

ISO 7176-16: Resistance to ignition of upholstered parts

ISO 7176-19: Wheeled mobility devices for use as seats in motor vehicles. (shall be only for Eclips X4 wheelchair)

### 1.3 Drawing



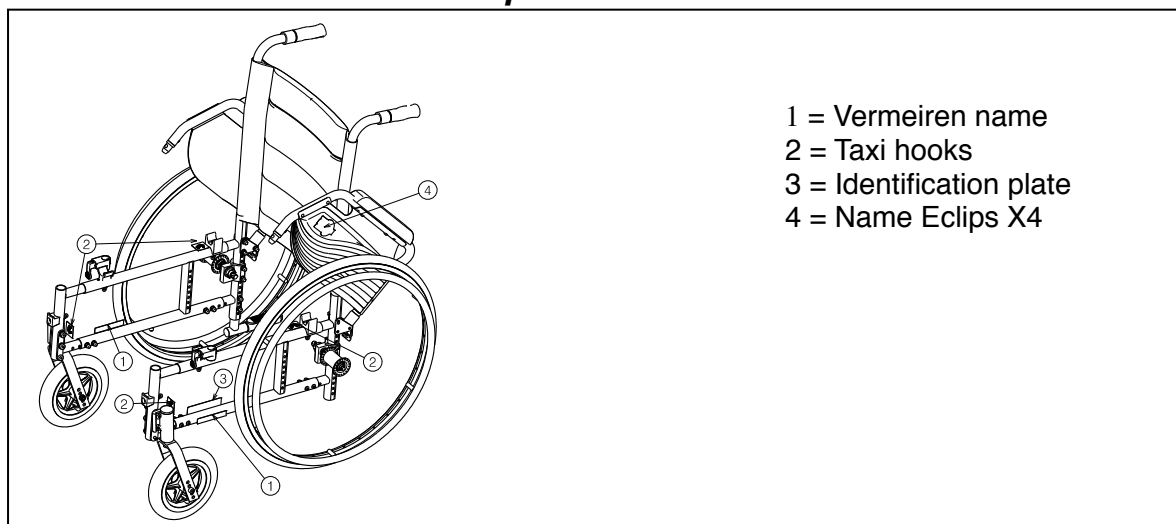
### 1.4 Accessories

The following accessories are available for the Eclips X4, Eclips X4 30°:

- Anterior pelvic belt (B58) for mounting on the tubes of the back
- Anti-tipping device (B78) for mounting on the bottom frame
- Arm supports (B02, B03, B05, B66)
- Footrests (B06, BZ8, BZ7)
- B52 Serum holder
- B74 Drum brakes
- T30 Transit wheelchair

Contact your specialist dealer about other accessories. He will gladly advise you.

### 1.5 Location identification plate





## 1.6 Explanation of symbols



Maximum mass



Indoor and outdoor use



Minimum slope



CE conformity

## 1.7 Safety rules

- ⚠ To prevent injury and/or damage to your wheelchair, make sure that no objects and/or body parts are caught in the spokes of the driving wheels.
- ⚠ The parking brakes should be applied before getting into and out of the wheelchair.
- ⚠ When getting into and out of the wheelchair, do not stand on the footplates. These should be folded up beforehand, or the footrests should be swung completely outwards out of the way.
- ⚠ Investigate the effects of shifting the centre of gravity on the behavior of the wheelchair, for example on up or down gradients, on laterally sloping ground, or when overcoming obstacles. Obtain support from an attendant.
- ⚠ If you want to pick up something (lying in front of, on the side, or to the rear of the wheelchair), you should not lean too far out to avoid tipping over.
- ⚠ When moving through doors, arches, etc. ensure that there is enough room at the sides so that you do not get your hands or arms caught or crushed and that there is no damage to the wheelchair.
- ⚠ Only use your wheelchair according to regulations. For example, avoid uncontrolled rolling against obstacles (steps, curbs, doorframes, etc) or dropping down from ledges. The manufacturer cannot assume liability for damage caused by overloading, collision or other improper use.
- ⚠ Stairs may only be negotiated when aided by another person. If furnishings like drive-on, ramps or lifts are available, use them.
- ⚠ When moving on the public highway, you are subject to the rules of the road.
- ⚠ When driving your wheelchair, you should not be under the influence of alcohol or medicine as in the case of driving other vehicles. This also applies to indoor driving.
- ⚠ When travelling outdoors, adapt your driving to weather and traffic conditions.
- ⚠ When transporting the wheelchair, never pick it up by grasping movable parts (arm supports, footrests, etc.)
- ⚠ To be better visible when driving in the dark, wear the brightest possible clothing or clothes with reflectors, and check that the reflectors mounted on the sides and rear of the wheelchair are clearly visible.
- ⚠ Never exceed the maximum load of your wheelchair.

## 2 Use

This chapter describes the everyday use. **These instructions are for the user and the specialist dealer.**

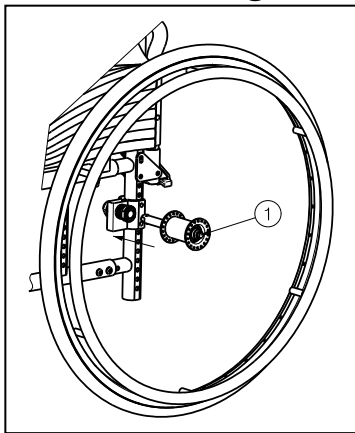
The wheelchair is delivered fully assembled by your specialist dealer. The instructions intended for the specialist dealer on how to set up the wheelchair are given in § 3.

### 2.1 Carrying the wheelchair

The best way to carry the wheelchair is to make use of the wheels and roll the wheelchair.

If this is not possible (e.g. when the rear wheels are taken off for transportation in a car), firmly grasp the frame on the front and the grips. Do not use the foot or arm supports or the wheels to grasp the wheelchair.

### 2.2 Mounting the rear wheels



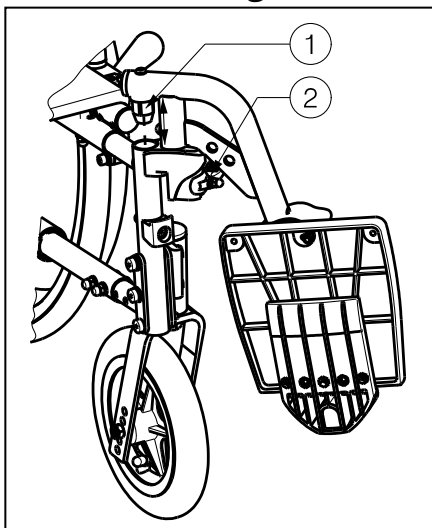
1. Take the rear wheel and push on button ①.
2. Keep the button pushed in and mount the rear wheels axle till it stops.
3. Release the button.
4. Check that the wheel is secured.

### 2.3 Unfolding the wheelchair

**⚠ CAUTION: Risk of clamping – Keep fingers away from moving parts of the wheelchair.**

1. Position yourself behind the wheelchair.
2. Use the handgrips to open the wheelchair as much as possible.
3. Position yourself at the front of the wheelchair.
4. Push both seating tubes down till they are fixed in their position.
5. When the pushbar is available mount the pushbar to the right handle.

### 2.4 Mounting or removing of the footrests



The mounting of the footrests is done as follows:

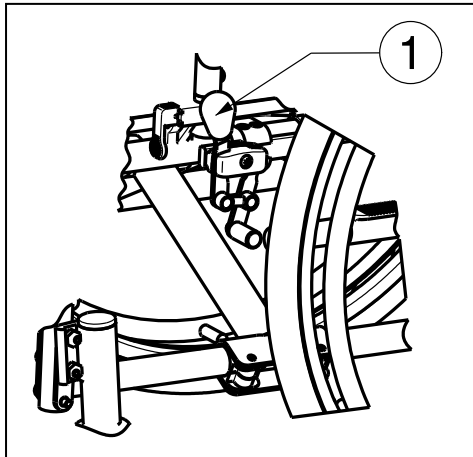
1. Hold the footrest sideways at the outside of the wheelchair frame and mount the tube hood ① into the frame.
2. Swing the footrest inwards till it clicks in position.
3. Swing the foot plate downwards.

To take off the footrests:

1. Pull handle ②.
2. Swing the footrest to the outside of the wheelchair till it comes loose from the guidance.
3. Pull the footrest tube hood ① out the wheelchair frame.

## 2.5 Operating the brakes

- ⚠ **WARNING:** The brakes are not used to slow down the wheelchair during movements – Use the brake only to prevent the wheelchair from unintended movements.
- ⚠ **WARNING:** Good operation of the brakes is influenced by wear and contamination of the tires (water, oil, mud, ...) – Check the condition of the tires before each use.
- ⚠ **WARNING:** The brakes are adjustable and can wear – Check the operation of the brakes before each use.



To apply the brakes:

1. Push the brake handles ① forward till you feel a distinctive click.

⚠ **CAUTION:** Risk of unintended movement – Make sure the wheelchair is on a flat horizontal surface before releasing the brakes. Never release both brakes simultaneously.

To release the brakes:

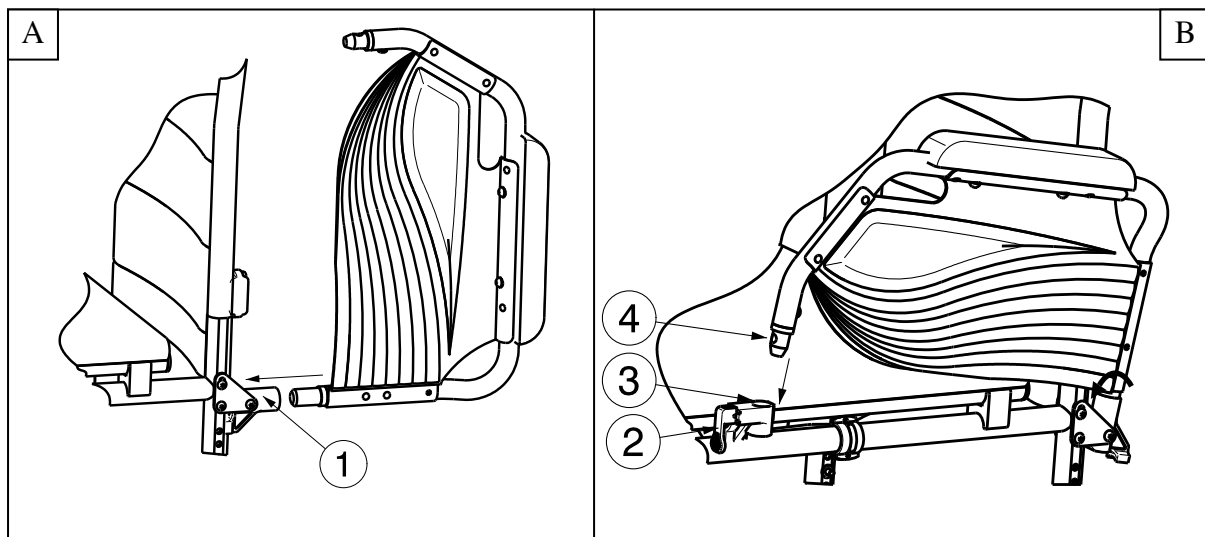
1. Release one brake by pulling the handle ① backwards.
2. Hold the hand-rim of the released wheel with your hand.
3. Release the second brake by pulling the handle backwards.

## 2.6 Mounting or removing of arm supports

⚠ **CAUTION:** Risk of clamping – Keep fingers, buckles and clothes away from the bottom side of the arm support.

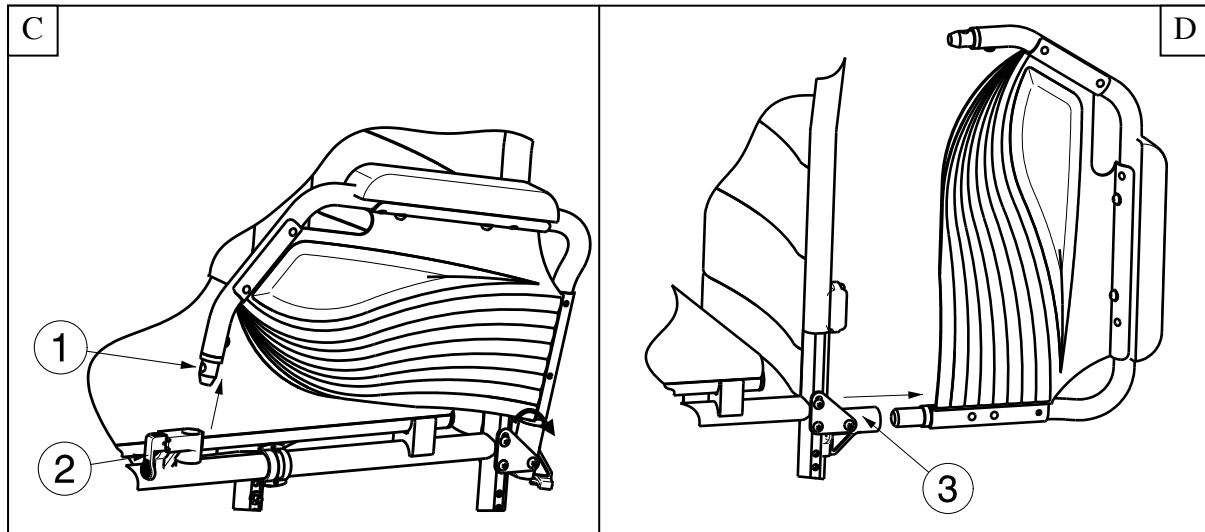
The arm supports of the wheelchair can be mounted by following instructions.

1. Mount the rear tube of the arm rest in tube hood ①. (Fig A)
2. Make sure the arm support is mounted very well.
3. Fold the arm support to the front.
4. Pull lever ② on tube hood ③ upwards. (Fig B)
5. Click the front tube of the arm support ④ in tube hood ③. (Fig B)



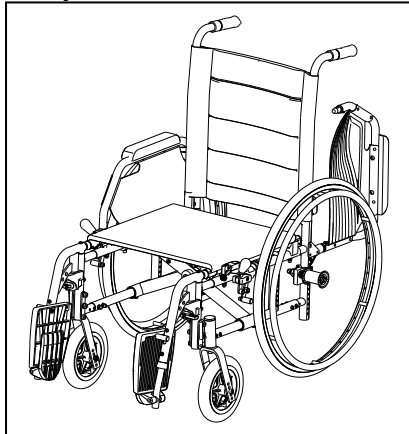
To open and remove the arm support:

1. Pull lever ② and pull the front of the arm support ① upwards. (Fig C)
2. Fold the arm support backwards.
3. To remove the arm support, pull the rear of the arm support from tube hood ③. (Fig D)



## 2.7 Transfer in and out the wheelchair

- ⚠ **CAUTION:** In case you cannot perform the transfer in a safe manner, ask someone to assist you.
- ⚠ **CAUTION:** Risk of tipping over of the wheelchair – Do not stand on the foot plates.



1. Position the wheelchair as close as possible to the chair, couch or bed to/from you wish to transfer.
2. Check both brakes from the wheelchair are in the on position.
3. Fold the foot plates upwards to prevent standing on them.
4. If the transfer is on the side of the wheelchair, fold the arm support on that side upwards. (see § 2.6)
5. Transfer to/from the wheelchair.

## 2.8 Correct position in the wheelchair

Some recommendations for a comfortable use of the wheelchair:

- Position your backside as close as possible to the back rest.
- Make sure your upper legs are horizontal – If needed adjust the length of the footrests. (see § 3.8.1)

## 2.9 Riding the wheelchair

- ⚠ **WARNING:** Risk of clamping – Prevent your fingers from being caught by the wheels spokes.
  - ⚠ **WARNING:** Risk of clamping – Be careful passing through restricted passages (e.g. doors).
  - ⚠ **WARNING:** Risk of burns – Be careful when driving in hot or cold environments (sunshine, extreme cold, saunas, etc.) for a sufficient amount of time and when touching - Surfaces can assume the environment temperatures.
1. Release the brakes.
  2. Take both hand rims at their highest position.
  3. Lean forward and push the hand rims forward until straight arms.
  4. Swing your arms loosely back to the hand rims topside and repeat the movement.

## 2.10 Moving on slopes

- ⚠ **WARNING:** Control your speed – Moving on slopes as slow as possible.
- ⚠ **WARNING:** Consider the capacities of your attendant – If your attendant does not have enough force to control the wheelchair, put on the brakes.
- ⚠ **WARNING:** Risk of tipping over – Lean forward to move your centre of gravity forward. To improve a better stability.



1. If available on the wheelchair, wear the safety belt.
2. Do not attempt moving on too high slopes. The maximum slope angles (upwards and downwards) are mentioned in table 1 for Eclips X4, table 2 for Eclips X4 30°.
3. Ask an attendant to help you moving on the slope.
4. Lean forward to move your centre of gravity forward.

## 2.11 Negotiating steps or curbs

### 2.11.1 Getting down steps or curbs

Riding down low curbs can be done moving forwards. Make sure that the foot rests do not touch the ground.



A practiced user can negotiate small steps or curbs by himself:

- ⚠ **WARNING:** Risk of tipping over – If you do not have enough experience with your wheelchair, ask assistance of an attendant.
1. Bring balance on the rear wheels to reduce the pressure on the front wheels.
  2. Negotiate the curbs.

Higher curbs can be taken forward with an attendant:

1. Ask the attendant to tip the wheelchair slightly backwards.
2. Get past the curbs while moving on the rear wheels.
3. Put the wheelchair back on the four wheels.



An experienced user can negotiate higher curbs by himself. This is best done backwards.

1. Turn the wheelchair to have the rear wheels facing the curb.
2. Lean forward to move your centre of gravity forward.
3. Move the wheelchair close to the curbs.
4. Use the hand rim to roll-off wheelchair from the curb in a controlled manner.

### 2.11.2 Moving up steps or curbs

Moving up steps or curbs with attendant as follows:



1. Prevent the foot rests from touching the curb.
2. Ask the attendant to tip the wheelchair backwards, just enough to move the front wheels over the curb.
3. Lean backwards to move your centre of gravity above the rear wheel.
4. Place the front wheels on the curb.
5. Roll rear wheels of the wheelchair over the curb.

Higher curbs are negotiated backwards:

1. Turn the wheelchair to have the rear wheels facing the curb.
2. Lean backwards and move your centre of gravity above the rear wheels.
3. Ask the attendant to pull the wheelchair on the curb.
4. Take back the normal position in the wheelchair.

An experienced user can negotiate curbs by himself:

**⚠ WARNING: Risk of tipping over – If you have not enough experience to control the wheelchair, get help from an attendant.**



1. Drive until the curbs.
2. Ensure that the footrest do not touch the curbs.
3. Lean backwards so you are balancing on the rear wheels.



4. Role the front wheels balancing over the curbs.
5. Bend forward for more stability.
6. Role the rear wheels over the curbs.

### 2.11.3 Taking of stairs

Taking of stairs while you staying in the wheelchair shall be according following rules:

**⚠ WARNING: Risk of tipping over – Taking of stairs shall always with 2 attendants.**

1. Remove the footrests.
2. One attendant tip the wheelchair slightly backwards.
3. The second attendant take the front of the frame.
4. Stay calm, avoid sudden movements and keep your arms inside the wheelchair.
5. Take the steps on the rear wheels of the wheelchair.
6. Mounting the footrests back after taking the stair.

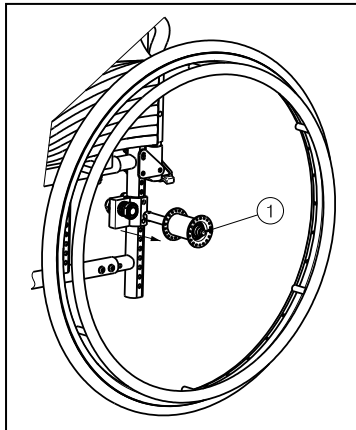
## 2.12 Fold up the wheelchair

**⚠ CAUTION:** Chance of pinching – Do not place fingers between the components of the wheelchair.

1. When the pushbar is available remove the pushbar.
2. Fold or remove the footplates (see § 2.4).
3. Take the seat on the front side and backside and pull it up.
4. Push on the handgrips to fold up the wheelchair further.

## 2.13 Taking off the wheels

To facilitate the transport off the wheelchair the rear wheels can be taken off:



1. Make sure the brakes standing in the off position.
2. Take the wheelchair to the side frame where you want to remove the wheel.
3. Press the button ① in the center of the wheel hub.
4. Pull the wheel away from the frame.

## 2.14 Pushbar

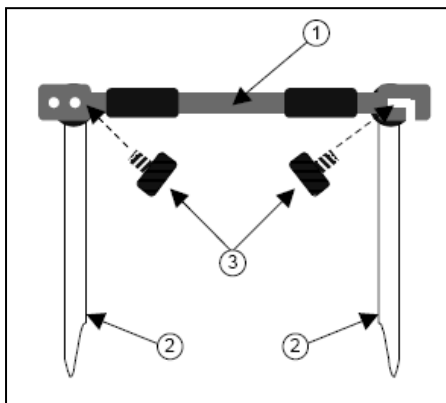
**⚠ WARNING:** Risk of injury - Make sure that all screws are properly tightened.

**⚠ WARNING:** Risk of injury - When equipped with the pushbar, the pushing pole shall always be mounted (→ to increase the stability of the back).

Your wheelchair can have a pushbar. The pushbar increase the stability of the back and offer you the possibility of pushing the wheelchair by an attendant. To do this, use the pre-mounted handles.

As there are different pushbars for different seat widths, take care that no tension between the pushing handles of the back tubes is created.

The mounting of the pushbar is done as follows:



1. Secure the pushbar ① by fastening the left side to the end of back tube handle ② with the Philips screw ③ in the applicable sunk threads.
2. Screw gently the Philips screw ③ on the right hand side into the thread of the back tube.
3. Swing the pushbar to the right.
4. Hook the suspension of the pushbar ① over the screw thread.

Use the two holes on the left handgrip to adjust the tension of the backrest.

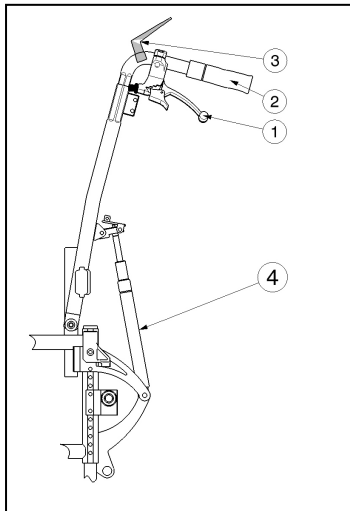
To take off the pushbar:

1. Loosen the Philips screw ③ on the right handgrip.
2. Remove the hook from the right handgrip.

## 2.15 Back adjusting (Eclips X4 30°)

- ⚠ **WARNING:** Risk of tipping over – Be aware that the stability decrease when adjust the back backwards.
- ⚠ **WARNING:** Risk of injury – Tighten the parking brakes before adjusting the backrest inclination.

With the model Eclips X4 30° it is possible to set the backrest backwards with a maximum inclination of 30°. Be sure that the patient sits in the chair when the attendant shall perform the backrest adjusting and that the wheelchair does not tip over.



1. Pull handle ① on both sides towards the grab handle ② to adjust the back rest.
2. Pull both back tubes backwards continuously to a maximum inclination of 30°.
3. The gas pressure spring ④ shall be pressed in.

To set the back to a vertical position, proceed in the same manner.

If your wheelchair features drum brakes, the handles ① are used as brakes; additional levers ③ have been mounted for backrest adjusting.

## 2.16 Transport in the car

- ⚠ **WARNING:** Risk of injury – See that the wheelchair is attached properly. So you can avoid injury from the passengers during collision or sudden braking.
- ⚠ **WARNING:** Risk of injury – Use for attaching the wheelchair and passenger NEVER the same seatbelt.

To transport the wheelchair in the car use following steps:

1. Remove footrests and accessories.
2. Store footrests and accessories safely.
3. If possible, fold the wheelchair and remove the wheels.
4. Place the wheelchair in the luggage place.
5. If the wheelchair and the passenger compartment is NOT separated, attach the frame of the wheelchair securely to the vehicle. You can use the available safety belts in the vehicle.

## 2.17 Use of the wheelchair as seat in a motor vehicle (Eclips X4)

The wheelchair shall not be used as a seat in a motor vehicle for the Eclips X4 30°.

- ⚠ **WARNING:** The wheelchair has passed the crash of ISO 7176-19: 2008 and, as such, has been designed and tested for use only as forward-facing seat in a motor vehicle.
- ⚠ **WARNING:** The wheelchair's pelvic belt alone is not suited as an occupant restraint belt.

The wheelchair is tested using the four-point strap-tie system and a 3-point occupant-restraint system.

Whenever feasible, use the seat of the vehicle and store the wheelchair in the cargo area.



Steps to secure the wheelchair in a motor vehicle:

1. Check that the vehicle is equipped with a suitable wheelchair tie down and occupant-restraint system, conform ISO 10542.
2. Check that the components of the wheelchair tie down and occupant restraint system are not frayed, contaminated, damaged or broken.
3. If equipped with an adjustable seat and/or back tilt, make sure that the wheelchair user is sitting as upright as possible. If the user's condition prevents this, a risk assessment should be done to evaluate the user's safety during transit.
4. Remove all mounted accessories such as trays and respiratory equipment, and secure them in a safe place.
5. Position the wheelchair facing forward in the travelling direction, centrally between the tie-down rails mounted in the floor of the vehicle.
6. Make sure that the indicated zones around the wheelchair user are clear from rigid vehicle parts.

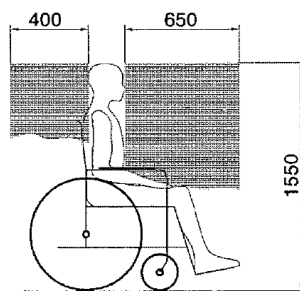


figure 1

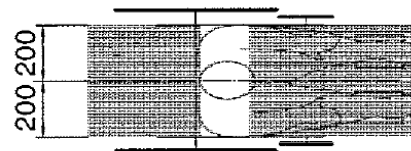


figure 2

7. Mount the front securement straps according to the instructions of the strap-system manufacturer at the indicated place. (figure 3)  
This place is marked on the wheelchair with a symbol. (figure 4)
8. Roll back the wheelchair until the front straps are tight.
9. Apply the wheelchair brake.
10. Mount the back securement straps according to the instructions of the strap-system manufacturer at the indicated place. (figure 3)
11. This place is marked on the wheelchair with a symbol. (figure 4)

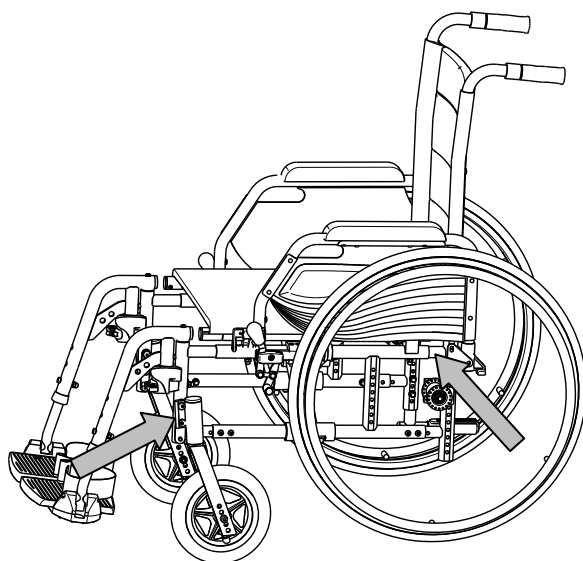


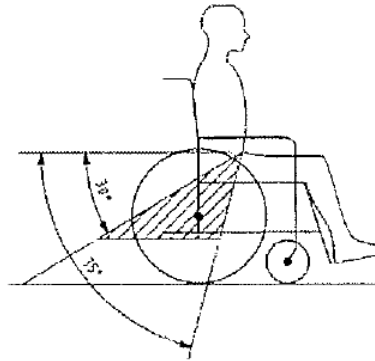
figure 3



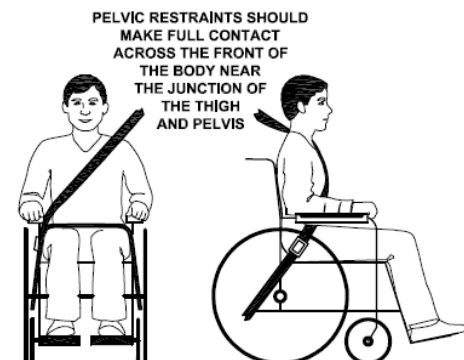
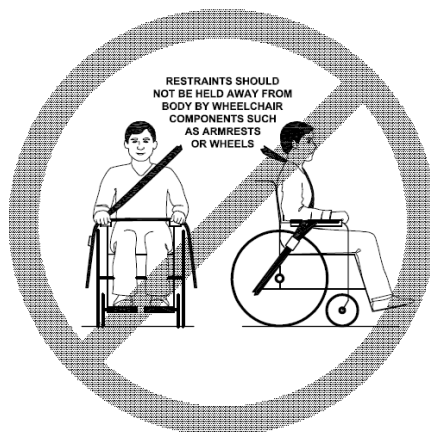
figure 4

Steps to secure the wheelchair user:

1. Remove both arm rests.
2. If present, attach the wheelchair's pelvic belt.
3. Attach the occupant restraint belts according to the instructions of the strap-system manufacturer.
4. Wear the pelvic belt low across the front of the pelvis, so that the angle of the pelvic belt is within the preferred zone of 30° to 75° to the horizontal, similar to that shown below.



5. A steeper (greater) angle within the preferred zone is desirable.
6. Adjust the belt tightly according to the instructions of the strap-system manufacturer, consistent with the user's comfort.
7. Ensure that the restraint belt connects in a straight line to the anchor point in the vehicle and that no bends in the belt are visible, for instance at the axle of the rear wheel.
8. Install the arm rests, if desired. make sure that belts are not twisted or held away from the body by wheelchair components such as arm rests or wheels.



### 3 Installation and adjustment

The instructions in this chapter are for the specialist dealer.

The Vermeiren Lightweight wheelchairs Eclips X4 and Eclips X4 30° has been designed entirely for your comfort. This wheelchair can be adjusted to individual requirements as explained below.

To find a service facility or specialist dealer near you, contact the nearest Vermeiren facility. A list of Vermeiren facilities can be found on the last page.

**⚠ WARNING: Risk of unsafe settings - Use only the settings described in this manual.**

**⚠ WARNING: Variation of allowed adjustments can still change the stability of your wheelchair (tilt back or sideways).**

### 3.1 Tools

To set up the wheelchair the following tools are needed.

- Wrench set n° 10 to n° 19
- Allen key set n° 4 to n° 5
- Screwdriver Phillips head

### 3.2 Manner of delivery

The Vermeiren Eclips X4, Eclips X4 30° shall be delivered with:

- 1 frame with arm supports, rear and front wheels (for Eclips X4 30° additionally: adjusting system 30° back angle)
- 1 pair footrests
- Tools
- Manual
- Accessories

### 3.3 Adjusting the seat height and seat angle

**⚠ WARNING: Risk of injury - Make sure that all screws are properly tightened with the appropriate tool.**

**⚠ WARNING: Risk of tipping over - When the driving wheels are adjusted, the position of the wheels are altered.**

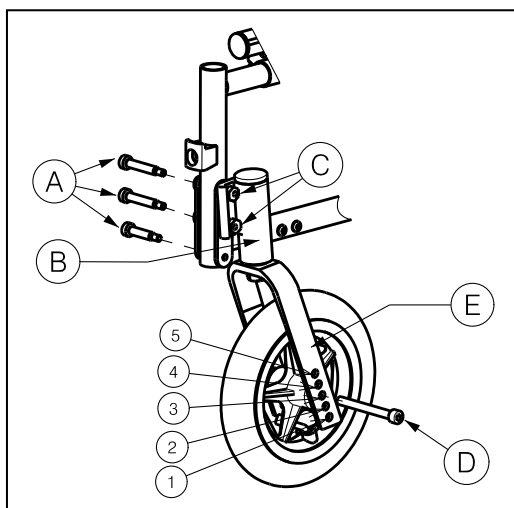
The Vermeiren Eclips X4, Eclips X4 30° are adjustable in different seat heights and different seat angles by changing the wheels position. At each height there is a different setting of the front and rear wheels.

Seat height	Rear wheel	Front wheel	
		Diameter	Position
390 mm	Position 1	150 mm	Hole 4
445 mm	Position 2	200 mm	Hole 5
471 mm (Standard)	Position 3	200 mm	Hole 3
520 mm	Position 4	200 mm	Hole 2

Table 3: Seat heights by seat angle 4°

Change the seat height and seat angle according following steps:

\* Front wheel:



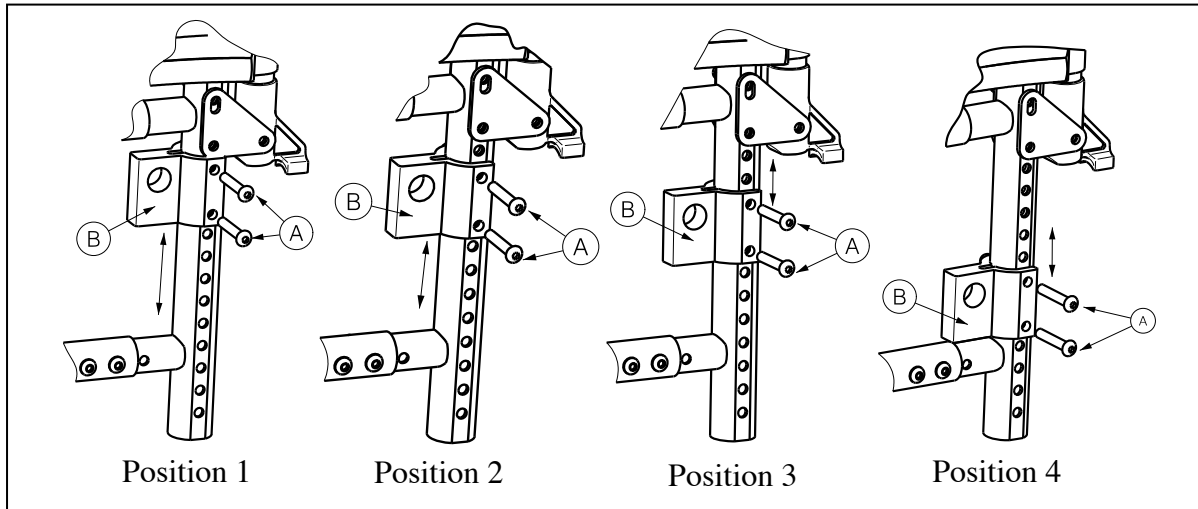
1. Loosen the screws (A) from the steering wheel adapter (B).
2. Choose correct size for the adapter (B) and fork.
3. Place the steering wheel adapter in the desired position.
4. Tighten the screws (A) properly.

or

5. Loosen the screws (D) from the front fork (E).
6. Choose the correct position or change diameter of the wheel in the front fork.
7. Tighten the screws (D) properly.

\* *Rear wheel:*

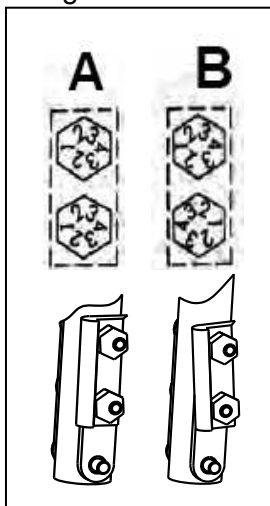
1. Remove the rear wheels (see § 2.13).
2. Loosen the fixing screws (A) from the rear axle block (B).
3. Push the axle block (B) upwards or downwards to the desired height.
4. Tighten the screws (A) properly.
5. Mount the rear wheels.
6. Adjust the brakes according § 3.7.



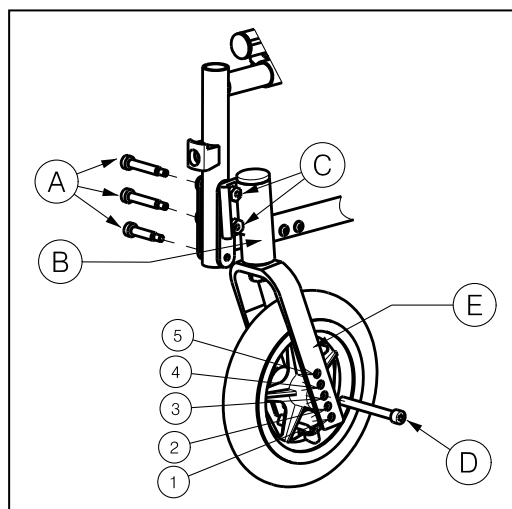
Adjustment of the slope nuts (C) from the steering wheels.

**⚠ WARNING: Risk of injury - Make sure that the eccentric screw settings are identical on both front-wheel adapters and, before using the wheelchair.**

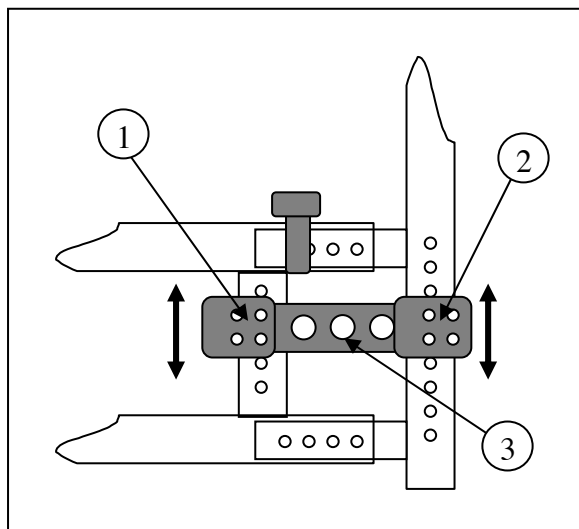
This figure illustrates the principle. The position of the screw thread is indicated by a number.



- A** Shows the frame when the seat is horizontal and the adapter is perpendicular to the ground.
- B** Shows the frame when the seat is tilted slightly and the adapter is not perpendicular.



Some of the wheelchairs are made with an adjustable axle adjuster. With these adjuster you can also change the seat height.



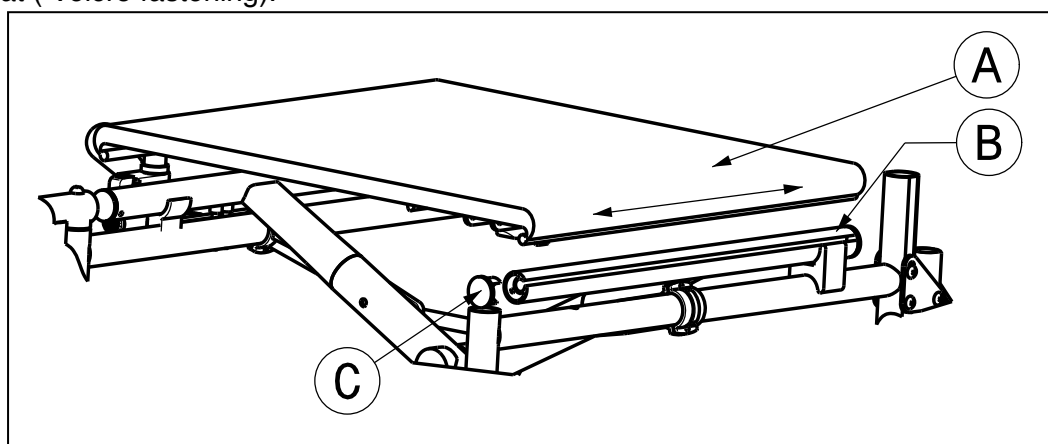
1. Remove the screws ① and ②.
2. Push/Pull the adjustable axle adjuster ③ upwards or downwards to the required height.
3. Retighten the screws ① and ②.

### 3.4 Flexible seat

**⚠ WARNING: Risk of injury - Make sure that all screws are properly tightened with the appropriate tool.**

The seat frame is available in different seat depths.

To close the gap between the back frame and the seat, fold the flap of the backrest under the seat ( Velcro fastening).



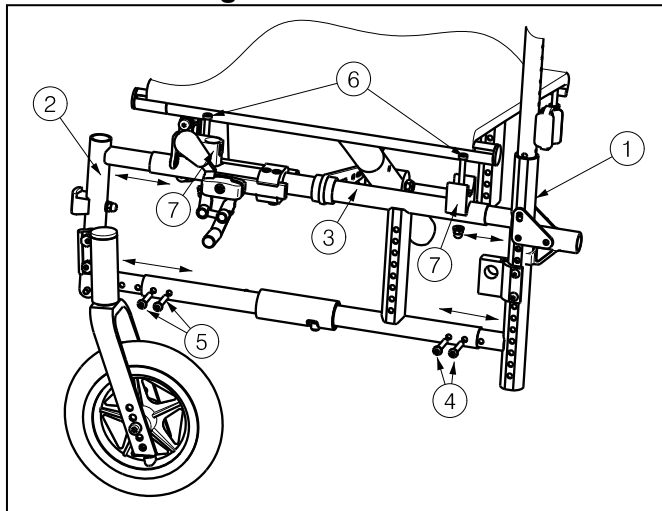
Changing the seat cover as follows:

1. Remove the screw at the front end of the seat frame.
2. Pull the locking pin ③ out.
3. Now the seat ① can be removed by pulling it gently forwards out the sleeve of tube ②.

Do the reverse when you want to replace the seat.

### 3.5 Adjusting seat depth

**⚠ WARNING: Risk of injury - Make sure that all screws are properly tightened before using the wheelchair.**



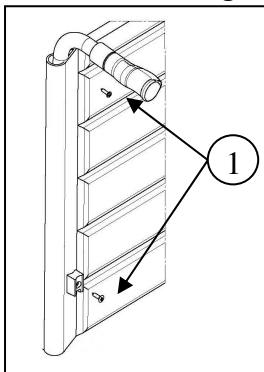
Adjust the seat depth according following procedure:

1. Remove the arm supports, footrests and rear wheels.
2. Loosen the screws ④.
3. Loosen the screws ⑤.
4. Remove the crosses from the seat located on the main frame ③ by folding the wheelchair.
5. Remove the screws ⑥ located in the blocks for the cross ⑦ on the main frame ③.

6. Remove the adjustable axle adapter, if available on your wheelchair.
7. Adjust the seat depth to the desired position by moving the backframe ① and/or seatframe ② steps from 20 mm.
8. Tighten all the screws properly by hand.
9. Fold the flap of the backrest under the seat (Velcro fastening), to close the gap between the back frame and the seat.
10. Adjusting the seat is not necessary.

### 3.6 Flexible back

**⚠ WARNING: Risk of injury - Make sure that all screws are properly tightened before using the wheelchair.**



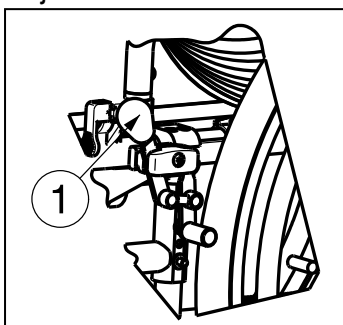
The height of the back can be adjusted by setting the entire back tube.

For adjusting the height of the back cover, loosen the fixing screws ① behind the back tube. Then you can move the cushion upwards or downwards. There are fixing holes every 20 mm in the back tube where the screws can be retightened.

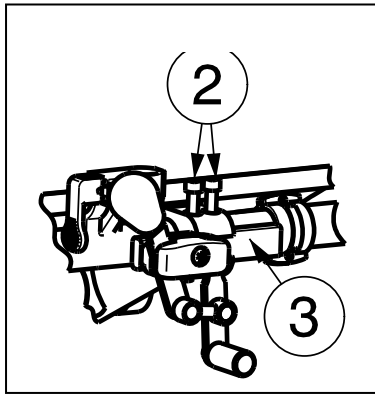
### 3.7 Adjust the brakes

**⚠ WARNING: Risk of injury – Brakes may only be adjusted by your specialist dealer.**

Adjust the brakes according following rules:



1. Install the wheels according § 2.2.
2. Disconnect the brakes by pulling lever ① backwards.



3. Loosen the bolts ② so the brake mechanism can slide over the guide ③.
4. Pull the brake mechanism over the guide ③ to the desired position.
5. Retighten the bolts ②.
6. Check working of the brakes.
7. If necessary repeat the above steps until the brakes are adjusted well.

### 3.8 Adjusting of the footrests

#### 3.8.1 Length of the footrests

**⚠ CAUTION:** Risk of damage – Avoid that the footrests make any contact with the ground. Keep a minimum distance from 60 mm above the ground.

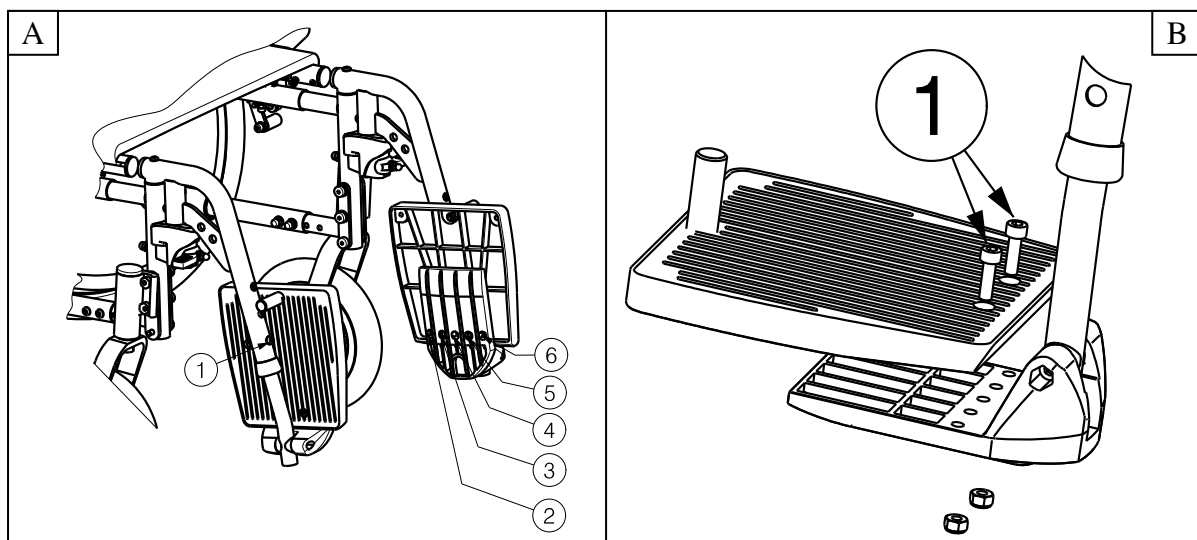
Adjust the length of the footrests as follow (3 positions possible: steps 35 mm → holes outside tube, 6 positions possible: steps 25 mm → inner tube): (Fig A)

1. Remove the screw ①.
2. Adjust the length of the footrest to a comfortable length.
3. Tighten the screw ① properly.

#### 3.8.2 Depth of the footplate

Adjust the depth of the footplate as follow (in three different positions: steps 20 mm):

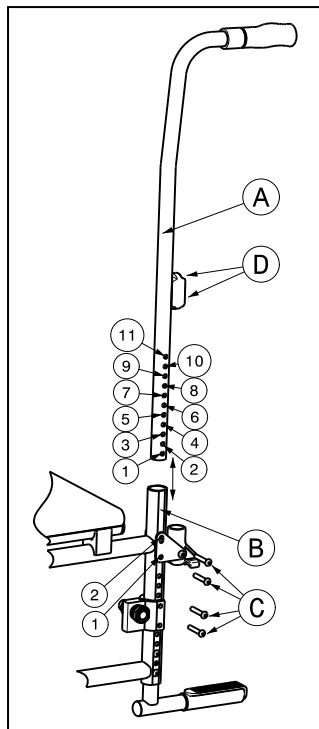
1. Remove the screws ①. (Fig B)
2. Adjust the depth of the footrest to a comfortable position (Fig A).  
Position 1: hole 2 and 4  
Position 2: hole 3 and 5  
Position 3: hole 4 and 6
3. Tighten the screws properly ①. (Fig B)



### 3.9 Adjusting of the pushing handles

- ⚠ **WARNING:** Risk of injury - Make sure that all screws are properly tightened with the appropriate tool.
- ⚠ **WARNING:** Risk of tipping over - Make sure that the tubes of the pushing handles are positioned identically on both sides.

#### 3.9.1 Pushing handles for the Eclips X4



The tube handle (A) is fixed to the back frame (B).

Adjust the height of the pushing handles as follow:

1. Remove the arm supports.
2. Remove the screws (C).
3. Remove the screws (D) from the block were the armrests rest on.
4. Pull the tube handle to the desired height.

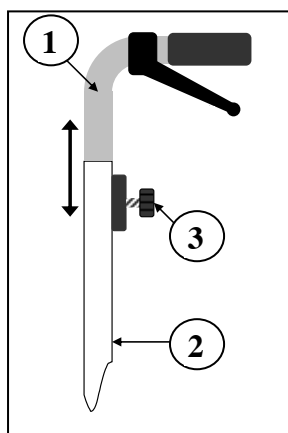
Pushing handle height	Tube handles (A)	Tube frame (B)
910 mm (Standard)	Hole 9 and 11	Hole 1 and 2
925 mm	Hole 8 and 10	Hole 1 and 2
940 mm	Hole 7 and 9	Hole 1 and 2
955 mm	Hole 6 and 8	Hole 1 and 2
970 mm	Hole 5 and 7	Hole 1 and 2
985 mm	Hole 4 and 6	Hole 1 and 2
1000 mm	Hole 3 and 5	Hole 1 and 2
1015 mm	Hole 2 and 4	Hole 1 and 2

Table 4: Pushing handle heights

5. Retighten all the fixing screws (C), (D) properly.

#### 3.9.2 Pushing handles / Back adjusting for the Eclips X4 30°

- ⚠ **WARNING:** Risk of injury - Make sure that all screws are properly tightened with the appropriate tool.



With the model Eclips X4 30° you can adjust the height of the pushing handles (1) in back tube (2).

1. Loosen the Philips screw (3).
2. Set the pushing handles to the required height.
3. Retighten the Philips screw (3) again.

**The back cushion is not adjustable in different heights. The back height (BH: 300 mm, 350 mm, 400 mm) must be indicated when ordered.**

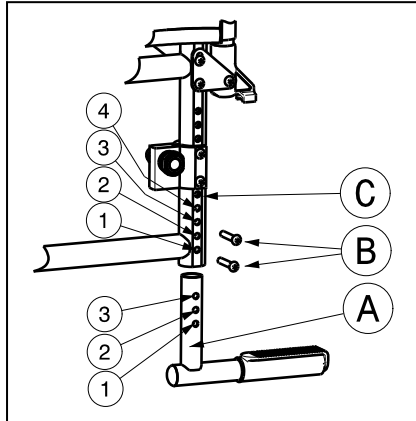


### 3.10 Adjusting of the tip cap

**⚠ WARNING: Risk of injury - Make sure that all screws are properly tightened with the appropriate tool.**

A tip cap is mounted on the lower right back frame that can be adjusted in its height depending on the seat height of the wheelchair.

The tip cap can be placed in 2 different position with a difference of 15 mm.



1. Remove the screws ②.
2. Adjust the height of the tip cap to a comfortable position.

Tip cap height	Tube tip cap ④	Tube frame ③
110 mm (Standard)	Hole 1 and 3	Hole 1 and 3
125 mm	Hole 1 and 3	Hole 2 and 4

Table 5: Tip cap heights for wheelchair with standard seat height of 471 mm

3. Tighten the screws properly ②. (Fig C)

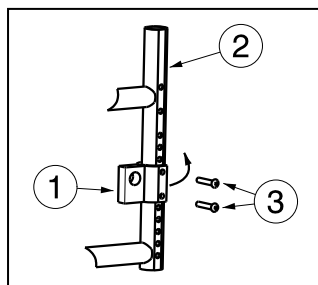
If an anti-tip device is installed, it replaces the addition of the tipping lever and can be used accordingly.

### 3.11 Adjusting the stability and the maneuverability

**⚠ WARNING: Risk of injury - Make sure that all screws are properly tightened with the appropriate tool.**

**⚠ WARNING: Risk of injury - Make sure that the axle adapters ① of the rear wheels on both sides are mounted in the same position.**

**⚠ WARNING: Risk of tipping over - Be aware that you change the stability of the wheelchair.**

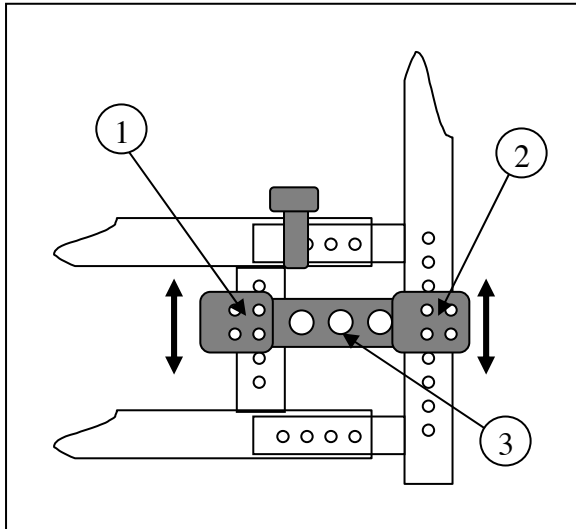


The driving wheels are mounted in an axle adapter ① at the bottom of the back frame ②.

1. Loosen the fixing screws ③.
2. Turn the axle adapter ① to the back until the axle mounting is behind the back frame.
3. Tighten the screws properly ③.
4. Adjust the brakes.

For the Eclips X4 30° there shall be standard an anti-tipping device mounted on the wheelchair when the axle adapter ① is positioned to the front.

Some of the wheelchairs are made with an adjustable axle adjuster. With these adjuster you can also change the stability and the manoeuvrability of your wheelchair.



1. Remove the screws ① and ②.
2. Push/Pull the adjustable axle adjuster ③ upwards or downwards to the required height or mount the rear wheel in another axle mounting ③.
3. Retighten the screws ① and ②.
4. Adjust the brakes.

Please note that your wheelchair might become tipping over. To prevent this, you can also mount an anti-tipping device.

## 4 Maintenance

Lifetime of the wheelchair is influenced by its use, storage, regular maintenance, servicing and cleaning.

### 4.1 Regular Maintenance

The maintenance activities to ensure a good condition for your Vermeiren wheelchair are described below:

- Before every ride
  - Check the tyres and make them clean. If necessary change the tire.
  - Check screw fastenings are secured.
  - Check the brakes and adjusted if necessary.
  - Check the wheelchair (cleanliness, cracks, damage on structural parts ... ) and make it clean. If necessary change the coating.
- Every 8 weeks: inspection and possibly lubricating or adjusting from
  - Arm supports
  - Footrests
  - Brake lever
  - Wheel axles
  - Back adjusting system (For Eclips X4 30°)
- Every 6 months or for every new user
  - General review
  - Disinfection
  - Frontwheels, possibly clean bearings

For your convenience, on the back of this manual is a maintenance plan.

Repairing and assembling of spare parts for your wheelchair may only be performed by the specialist dealer.

Only authorized Vermeiren spare parts may be installed.

## 4.2 Shipping and storage

The shipping and storage of the wheelchair shall be according following instructions:

- Store in a dry place (between +5 °C and +41 °C).
- The relative humidity of the air should be between 30% and 70%.
- Provide sufficient covering or packaging to protect the wheelchair from rust and foreign bodies. (e.g. salt water, sea air, sand, dust).
- Store all removed parts together in one place (or mark them if necessary) to avoid mixing up with other products when re-assembling.
- Components must be stored without being subjected to strains (Do not put too heavy parts on the wheelchair, not clamping between something, ...).

## 4.3 Care

### 4.3.1 Seat and back cushion

The cleaning of the seat and back cushion shall be according:

- Clean seat and back with a cloth moistened with hot water. Be aware that you do not soak the seat and back cushion.
- Use a mild commercial detergent for removing stubborn dirt.
- Stains can be removed by using a sponge or a soft brush.
- Do not use strong cleaning liquids like solvents, nor use hard brushes.
- Never clean with steam and/or pressure washers.

### 4.3.2 Plastic parts

Clean plastic parts of your wheelchair with commercial plastic cleaners. Only use a soft brush or soft sponge. Examples of plastic parts are the armrests, footrests, handles, tyres and ...

### 4.3.3 Coating

The high quality of the surface layer guarantees optimal protection against corrosion. If the outer coat is damaged by scratching or in some other way, get your specialist dealer to repair the affected surface.

When cleaning, only use warm water and normal household detergents and soft brushes and cloths. Ensure that no wetness gets into the tubes.

Initially the zinc parts only require rubbing with a dry cloth. Stubborn dirt can best be removed by using a suitable commercial zinc polish.

## 4.4 Inspection

In principle we recommend one inspection every year, and a minimum of one before usage is resumed. All of the following checks must be performed and documented by authorized persons:

- Check the frame parts and the hinged tubes for plastic deformation, cracks and impaired functioning.
- Visually check for damage to the paintwork (danger of corrosion)
- Check the operation of the wheels (free running, level rolling, axle play, tyres, profile, condition of the rims, air pressure in the case of air tyres, floating axles, etc.)
- Check the solidity and seating of all screws.
- Verify the amount of grease on the metal joints of movable parts
- The condition and security of the guides and axles of the steering wheels
- Visually check all plastic parts for cracks and brittle spots

- Check the functioning of the arm supports and footrests (locking, load, deformation, wear caused by loads).
- Check the operation of other detachable parts (example: anti-tipping device, personal safety belt, etc.)
- Check functioning of the gas pressure spring (synchronized, deformation, oiled) (only with Eclips X4 30°)
- Completeness of the delivery condition, instruction manual available?

The service must only be signed off in the maintenance plan if a minimum of all the above-mentioned aspects have been checked.

#### 4.5 Disinfection

- ⚠ WARNING: Dangerous Products - The use of disinfectants is restricted to authorized personnel.**
- ⚠ WARNING: Dangerous Products, change on irritate your skin - You should wear suitable protective clothing because the disinfectants could irritate your skin. For this purpose you should also take note of the product information of the solutions concerned.**

All parts of the wheelchair can be treated by scrubbing with a disinfectant.

All steps taken to disinfect rehabilitation equipment, their components or other accessory parts are to be recorded in a disinfection report containing a minimum of the following information (with product documentation appended):

Date of the disinfection	Reason	Specification	Substance and concentration	Signature
--------------------------	--------	---------------	-----------------------------	-----------

Table 6: Example of a disinfection book

Abbreviations used in column 2 (reason):

V = Suspected infection IF = Infection case W = Repetition I = Inspection

For a blank sheet of a disinfection book see § 9.

The recommended disinfectants for scrubbing (based on the list provided by the Robert Koch Institute, RKI) are standing in the table below. The current state of the disinfectants included in the RKI list can be obtained from the Robert Koch Institute (RKI) (homepage: [www.rki.de](http://www.rki.de)).

Active substance	Product name	Laundry disinfection		Surface disinfection (scrubbing-/wiping disinfection)		Disinfection of excretions 1 part sputum or stools + 2 parts diluted solution or 1 part urine + 1 part diluted solution						Area of effectiveness	Manufacturer or Supplier
		Diluted solution	Time to take effect	Diluted solution	Time to take effect	Sputum		Stools		Urine			
						%	Hr.	%	Hr.	%	Hr.		
Phenol or phenol derivative	Amocid	1	12	5	6	5	4	5	6	5	2	A	Lysoform
	Gevisol	0,5	12	5	4	5	4	5	6	5	2	A	Schülke & Mayr
	Helipur			6	4	6	4	6	6	6	2	A	B. Braun
	m-cresylic soap solution (DAB 6)	1	12	5	4							A	
	Phenol	1	12	3	2							A	
Chlorine, organic or inorganic substances with active chlorine	Chloramin-T DAB 9	1,5	12	2,5	2	5	4					A <sup>1</sup> B	
	Clorina	1, 5	12	2,5	2	5	4					A <sup>1</sup> B	Lysoform
	Trichlorol	2	12	3	2	6	4					A <sup>1</sup> B	Lysoform
Per combinations	Apesin AP100 <sup>2</sup>			4	4							AB	Tana PROFESSIONAL
	Dismozon pur <sup>2</sup>			4	1							AB	Bode Chemie
	Perform <sup>2</sup>			3	4							AB	Schülke & Mayr
	Wofesteril <sup>2</sup>			2	4							AB	Kesla Pharma



Active substance	Product name	Laundry disinfection		Surface disinfection (scrubbing-/wiping disinfection)		Disinfection of excretions 1 part sputum or stools + 2 parts diluted solution or 1 part urine + 1 part diluted solution						Area of effectiveness	Manufacturer or Supplier
		Diluted solution	Time to take effect	Diluted solution	Time to take effect	Sputum		Stools		Urine			
						%	Hr.	%	Hr.	%	Hr.		
		%	Hr.	%	Hr.	%	Hr.	%	Hr.	%	Hr.		
Formaldehyde and/or other aldehydes or derivatives	Aldasan 2000			4	4							AB	Lysoform
	Antifect FD 10			3	4							AB	Schülke & Mayr
	Antiseptica surface disinfection 7			3	6							AB	Antiseptica
	Apesin AP30			5	4							A	Tana PROFESSIONAL
	Bacillocid special			6	4							AB	Bode Chemie
	Buraton 10F			3	4							AB	Schülke & Mayr
	Desomed A 2000			3	6							AB	Desomed
	Hospital disinfectant cleaner			8	6							AB	Dreiturm
	Desomed Perfekt			7	4							AB*	Desomed
	Formaldehyde-solution (DAB 10), (formaline)	1,5	12	3	4							AB	
	Incidin Perfekt	1	12	3	4							AB	Ecolab
	Incidin Plus			8	6							A	Ecolab
	Kohrsolin	2	12	3	4							AB	Bode Chemie
	Lysoform	4	12	5	6							AB	Lysoform
	Lysoformin	3	12	5	6							AB	Lysoform
	Lysoformin 2000			4	6							AB	Lysoform
	Melsept	2	12	4	6							AB	B. Braun
	Melsitt	4	12	10	4							AB	B. Braun
	Minutil	2	12	6	4							AB	Ecolab
	Multidor			3	6							AB	Ecolab
Nüscosept			5	4							AB	Dr. Nüsken Chemie	
Optisept			7	4							AB*	Dr. Schumacher	
Pursept-FD			7	4							AB*	Merz	
Ultrasol F	3	12	5	4							AB	Fresenius Kabi	
Amphoteric surfactants (amfetensiden)	Tensodur 103	2	12									A	MFH Marienfelde
Lye	Lime-milk <sup>3</sup>							20	6			A <sup>3</sup> B	

1 Not effective against myco-bacteria when service disinfecting, especially in the presence of blood.  
2 Not suitable for disinfecting blood-contaminated or porous surfaces (e.g. raw wood).  
3 Useless for tuberculosis; preparation of Lime-milk: 1 part dissolved lime (calcium hydroxide) + 3 parts water.  
\* Checked for effectiveness on viruses in accordance with checking methods of the RKI (Federal Health Reporting 38 (1995) 242).  
A: Suitable for killing vegetative bacterial germs including myco-bacteria as well as fungi, including fungal spores.  
B: Suitable for deactivating viruses.

Table 7: Disinfectants

Kindly consult your specialist dealer if you have queries on matters related to disinfection; he will gladly assist you.



## 5 Guarantee

Excerpt from the "General Business Conditions":

(...)

5. The guarantee period for warranty claims is 24 months. As a result of our superior quality requirements, we can increase the time bar on warranty claims beyond these fundamental, statutory requirements for

(...)

-Frame and cross-hinge of wheelchairs

4 years

The guarantee excludes damage arising from structural changes to our products, insufficient maintenance, defective or improper handling or storage or the use of non-original parts. Likewise, the guarantee excludes parts or working parts subject to natural wear and tear.

(...)

## 6 Disposal

When disposing of the wheelchair, contact your local disposal centre or return the product to your specialist dealer who, after submitting it to a hygienic procedure, will be able to send it back to the manufacturer who will dispose of and recycle it correctly, separating it into its component materials.

Packaging materials can be taken to disposal or recycling centers or to your specialist dealer.

## 7 Declaration of conformity

**The manufacturer or his authorized representative :**

N.V. VERMEIREN N.V

**Address :**

Vermeirenplein 1/15  
2920 Kalmthout  
Belgium

**declares under his sole responsibility that the CE marked medical devices :**

Productgroup: Manual wheelchairs  
Brand: Vermeiren  
Type: Eclips X4, Eclips X4 30°, Eclips X4 90°, Eclips X4 Aktief,  
Eclips X4 Fix, Eclips X4 Kids, Eclips X4 Kids Deluxe,  
Eclips X4 Kids Aktief

**have been classified as class I, according to annex IX MDD 93/42/EEC, rule 1,**

**and is manufactured in full conformity with the European instructions below - including the latest modifications - and with the national law, that organizes this directions :**

Medical devices directive MDD 93/42/EEC: 2007

**and is in conformity with the relevant European harmonized standards:**

EN 12182: 1999, EN 12183: 2009



## 8 Maintenance plan

Date	Maintenance	Remarks	Paraph
1/1/2012	<i>Greasing and general servicing</i>	<i>non</i>	

## 9 Disinfection book

Date of the disinfection	Reason	Specification	Substance and concentration	Signature

**Abbreviations used in column 2 (reason):**

**V = Suspected infection IF = Infection case**

**W = Repetition I = Inspection**



**SERVICE**

The manual wheelchair was serviced:

Dealer's stamp:

Date:

Dealer's stamp:

Date:

Dealer's stamp:

Date:

Dealer's stamp:

Date:

Dealer's stamp:

Date:

Dealer's stamp:

Date:

Dealer's stamp:

Date:

Dealer's stamp:

Date:

Dealer's stamp:

Date:

Dealer's stamp:

Date:

- For service checklists an additional technical information, please see our specialist dealers nearest to you. More information on our website at: [www.vermeiren.com](http://www.vermeiren.com).



## ITALIANO

### GARANZIA CONTRATTUALE

La carrozzina manuale sono garantite 5 anni, la carrozzina ultra leggera 4 anni. Le carrozzine elettroniche, tricicli, letti e altri prodotti: 2 anno contro tutti i difetti di costruzione o di materiale (batterie 6 mesi). Multiposizioni 3 anni. Questa garanzia e' limitata alle sostituzioni di parti riconosciute difettose.

### CONDIZIONI

Per far valere la garanzia, e' necessario indirizzarla al vostro distributore di fiducia che presentera' al produttore il tagliando.

### RISERVE

Questa garanzia non potra' essere applicata nei seguenti casi:

- danno dovuto al cattivo ed improprio utilizzo della carrozzina,
- danno subito durante il trasporto,
- incidente o caduta,
- smontaggio, modifica, o riparazione effettuate in proprio,
- usura abituale della carrozzina,
- invio del tagliando di garanzia con la data di acquisto.



**B**

Naam/Nom/Name

Name/Nome

Adres/Adresse/Address

Adresse/Indirizzo

Woonplaats/Domicile/Home

Wohnort/Citta

E-mail

Artikel/Article/Article

Artike/Articolo

Reeks nr./N° de série/Serie nr.

Serien-Nr./No. di serie

Aankoopdatum/Date d'achat/Date of purchase

Kaufdatum/Data di acquisto

Stempel verkoper/Timbre du vendeur

Dealer stamp/Händlerstempel

Timbro del rivenditore

# VERMEIREN



**WAARBORG  
GARANTIE  
WARRANTY  
GARANTIE  
GARANZIA**

N.V. VERMEIREN N.V.

VERMEIRENPLEIN 1-15

B-2920 Kalmthout

Tel.: 00 32 (0)3 620 20 20

Fax: 00 32 (0)3 666 48 94

[www.vermeiren.com](http://www.vermeiren.com)

**A**

Naam/Nom/Name

Name/Nome

Adres/Adresse/Address

Adresse/Indirizzo

Woonplaats/Domicile/Home

Wohnort/Citta

E-mail

Artikel/Article/Article

Artike/Articolo

Reeks nr./N° de série/Serie nr.

Serien-Nr./No. di serie

Aankoopdatum/Date d'achat/Date of purchase

Kaufdatum/Data di acquisto

Stempel verkoper/Timbre du vendeur

Dealer stamp/Händlerstempel

Timbro del rivenditore

## NEDERLANDS

### CONTRACTUELE GARANTIE

Op de manuele rolstoelen geven wij 5 jaar, lichtgewicht rolstoelen 4 jaar. Op de elektronische rolstoelen, driewielers, bedden en andere producten : 2 jaar waarbij op constructie - of materiaalouder (batterijen 6 maanden). Op multipositie rolstoelen geven we 3 jaar waarbij. Deze garantie is uitsluitend beperkt tot de vervanging van defecte stukken of onderdelen.

### TOEPASSINGSVOORWAARDEN

Om aanspraak te kunnen maken op de waarborg, bezorgt u het garantiecertificaat dat u heeft bewaard, aan uw Vermeiren dealer. De waarborg is enkel geldig in de zetel van de onderneming.

### UITZONDERINGEN

Deze garantie is niet van toepassing in geval van:

- schade te wijten aan het verkeerd gebruik van de rolstoel,
- beschadiging tijdens het transport,
- een val of een ongeval
- een demontage, wijziging of herstelling uitgevoerd buiten onze firma,
- normale slijtage van de rolstoel,
- niet inzenden van de garantiestrook.

## FRANCAIS

### GARANTIE CONTRACTUELLE

Les fauteuils manuels standard sont garantis 5 ans, les fauteuils ultra légers 4 ans. Les fauteuils électroniques, tricycles, lits et autres produits: 2 ans contre tous vices de construction ou de matériaux (batteries 6 mois). Fauteuils multiposition 3 ans. Cette garantie est expressément limitée au remplacement des éléments ou pièces détachées reconnues défectueuses.

### CONDITIONS D'APPLICATION

Pour prétendre à cette garantie, il faut présenter le certificat de garantie que vous avez conservé à votre distributeur Vermeiren. La garantie est uniquement valable au siège de la société.

### RESERVES

Cette garantie ne pourra être appliquée en cas de:

- dommage dû à la mauvaise utilisation du fauteuil,
- endommagement pendant le transport,
- accident ou chute,
- démontage, modification ou réparation fait en dehors de notre société,
- usure normale du fauteuil,
- non retour du coupon de garantie.

## ENGLISH

### CONTRACTUAL WARRANTY

We offer 5 years of warranty on standard wheelchairs, lightweight wheelchairs 4 years. Electronic wheelchairs, tricycles, beds and other products: 2 years (batteries 6 months) and multiposition wheelchairs 3 years. This warranty is limited to the replacement of defective or spare parts.

### APPLICATION CONDITIONS

In order to claim this warranty, part "B" of this card has to be given to your official Vermeiren dealer. The warranty is only valid when parts are replaced by Vermeiren in Belgium.

### EXCEPTIONS

This warranty is not valid in case of:

- damage due to incorrect usage of the wheelchair,
- damage during transport,
- involvement in an accident,
- a dismount, modification or repair carried outside of our company and/or official Vermeiren dealership,
- normal wear of the wheelchair,
- non-return of the warranty card

## DEUTSCH

### GARANTIEERKLÄRUNG

Wir garantieren, dass für unsere Rollstühle hochwertige Produkte verwendet werden, die in sorgfältiger Verarbeitung nach dem neuesten Stand der Technik montiert werden. Bevor Ihr Rollstuhl unser Werk verlassen hat, wurde er einer eingehenden Endkontrolle unterzogen, um auch letzte, eventuell vorhandene Mängel aufzuspüren.

Auf Standardrollstühle gewähren wir eine Garantie von 5 Jahren, auf Leichtgewichtrollstühle 4 Jahre, auf elektronische Rollstühle, Dreiräder, Betten und andere Produkte: 2 Jahre (Batterien 6 Monate), auf Multifunktionsrollstühle 3 Jahre.

In dieser Garantie eingeschlossen sind alle Mängel, die auf einen Produkt- oder Verarbeitungsfehler zurückzuführen sind. Dieser Garantie unterliegen keine Schäden aus unsachgemäßer Benutzung. Ebenfalls sind Verschleißteile von der Garantie ausgenommen.

Sollte einmal der Fall eingetreten sein, dass Sie aus berechtigtem Grunde mit Ihrem Rollstuhl unzufrieden sind, so wenden Sie sich bitte unverzüglich an Ihren Fachhändler. Er wird sich in enger Zusammenarbeit mit uns darum bemühen, eine für Sie zufriedenstellende Lösung zu finden.

## A

- terugsturen binnen de 8 dagen na aankoop of registreer uw product via onze website, <http://www.vermeiren.be/registration>
- à renvoyer dans les 8 jours après achat ou régistrier votre produit sur notre site, <http://www.vermeiren.be/registration>
- please return within 8 days of date of purchase or register your product at our website, <http://www.vermeiren.be/registration>
- zurückschicken innerhalb von 8 Tagen nach kauf oder registrieren Sie Ihr Produkt auf unserer website, <http://www.vermeiren.be/registration>
- da restituire entro 8 giorni dalla data di acquisto o registri il vostro prodotto al nostro web site, <http://www.vermeiren.be/registration>

## B

- in geval van herstelling, kaart "B" bijvoegen.
- en cas de réparation, veuillez ajouter la carte "B".
- in case of repair, please add part "B".
- im Falle einer Reparatur, Karte "B" beifügen
- in case di riparazione, ripresentaci la carta "B".

N.V. VERMEIREN N.V.  
Vermeirenplein 1/15  
B-2920 Kalmthout  
BELGIUM





## Belgium

### N.V. Vermeiren N.V.

Vermeirenplein 1 / 15  
B-2920 Kalmthout  
Tel: +32(0)3 620 20 20  
Fax: +32(0)3 666 48 94  
website: [www.vermeiren.be](http://www.vermeiren.be)  
e-mail: [info@vermeiren.be](mailto:info@vermeiren.be)

## France

### Vermeiren France S.A.

Z. I., 5, Rue d'Ennevelin  
F-59710 Avelin  
Tel: +33(0)3 28 55 07 98  
Fax: +33(0)3 20 90 28 89  
website: [www.vermeiren.fr](http://www.vermeiren.fr)  
e-mail: [info@vermeiren.fr](mailto:info@vermeiren.fr)

## Italy

### Reatime S.R.L.

Viale delle Industrie 5  
I-20020 Arese MI  
Tel: +39 02 99 77 07  
Fax: +39 02 93 58 56 17  
website: [www.reatime.it](http://www.reatime.it)  
e-mail: [info@reatime.it](mailto:info@reatime.it)

## Poland

### Vermeiren Polska Sp. z o.o

ul. Łączna 1  
PL-55-100 Trzebnica  
Tel: +48(0)71 387 42 00  
Fax: +48(0)71 387 05 74  
website: [www.vermeiren.pl](http://www.vermeiren.pl)  
e-mail: [info@vermeiren.pl](mailto:info@vermeiren.pl)

## Spain

### Vermeiren Iberica, S.L.

Trens Petits, 6. - Pol. Ind. Mas Xirgu.  
17005 Girona  
Tel: +34 902 48 72 72  
Fax: +34 972 40 50 54  
website: [www.vermeiren.es](http://www.vermeiren.es)  
e-mail: [info@vermeiren.es](mailto:info@vermeiren.es)

## Germany

### Vermeiren Deutschland GmbH

Wahlerstraße 12 a  
D-40472 Düsseldorf  
Tel: +49(0)211 94 27 90  
Fax: +49(0)211 65 36 00  
website: [www.vermeiren.de](http://www.vermeiren.de)  
e-mail: [info@vermeiren.de](mailto:info@vermeiren.de)

## Austria

### L. Vermeiren Ges. mbH

Winetzhammerstraße 10  
A-4030 Linz  
Tel: +43(0)732 37 13 66  
Fax: +43(0)732 37 13 69  
website: [www.vermeiren.at](http://www.vermeiren.at)  
e-mail: [info@vermeiren.at](mailto:info@vermeiren.at)

## Switzerland

### Vermeiren Suisse S.A.

Hühnerhubelstraße 59  
CH-3123 Belp  
Tel: +41(0)31 818 40 95  
Fax: +41(0)31 818 40 98  
website: [www.vermeiren.ch](http://www.vermeiren.ch)  
e-mail: [info@vermeiren.ch](mailto:info@vermeiren.ch)

## The Netherlands

### Vermeiren Nederland B.V.

Domstraat 50  
NL-3864 PR Nijkerkerveen  
Tel: +31(0)33 2536424  
Fax: +31(0)33 2536517  
website: [www.vermeiren.com](http://www.vermeiren.com)  
e-mail: [info@vermeiren.be](mailto:info@vermeiren.be)

## Czech Republic

### Vermeiren ČR S.R.O.

Sezemická 2757/2 - VGP Park  
193 00 Praha 9 - Horní Počernice  
Tel: +420 731 653 639  
Fax: +420 596 121 976  
website: [www.vermeiren.cz](http://www.vermeiren.cz)  
e-mail: [info@vermeiren.cz](mailto:info@vermeiren.cz)